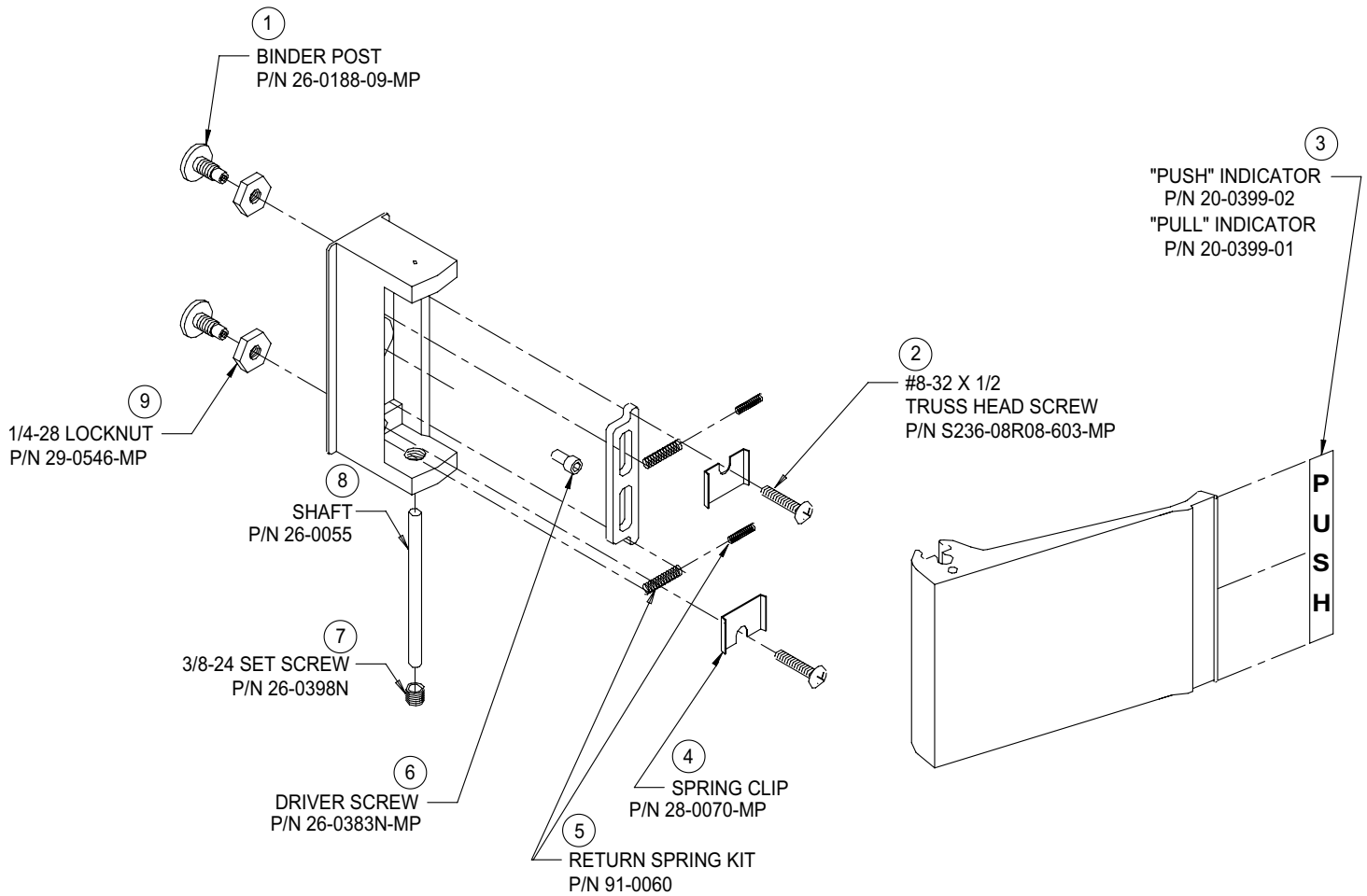


4590

DEADLATCH PADDLE



4590

DEADLATCH PADDLE

4590 Deadlatch Paddle

ITEM	PART NUMBER	DESCRIPTION	UNITS PKGD	2015 PRICE
1	26-0188-09-MP	Binder Post	Pkg. of 10	\$15.00
2	S236-08R08-603-MP	#8-32 × 1/2 Truss Head Screw with Lockwasher	Pkg. of 10	\$4.00
3	20-0399-01	"PULL" Indicator	Each	\$4.00
	20-0399-02	"PUSH" Indicator	Each	\$4.00
4	28-0070-MP	Spring Clip	Pkg. of 10	\$4.00
5	91-0060	Return Spring Kit (includes all four springs)	Each	\$6.00
6	26-0383-MP	Driver Screw	Pkg. of 10	\$60.00
7	26-0398N	3/8-24 Set Screw	Each	\$4.00
8	26-0055	Shaft	Each	\$4.00
9	NJ-14-28-MP	1/4-28 Locknut	Pkg. of 10	\$4.00
NS	80-0180-200	Instruction Sheet, 4590	Each	Email only
NS	80-0180-201	Instruction Sheet, 4590M	Each	Email only
NS	80-0180-202	Instruction Sheet, 4590MA	Each	Email only

NS = Not shown