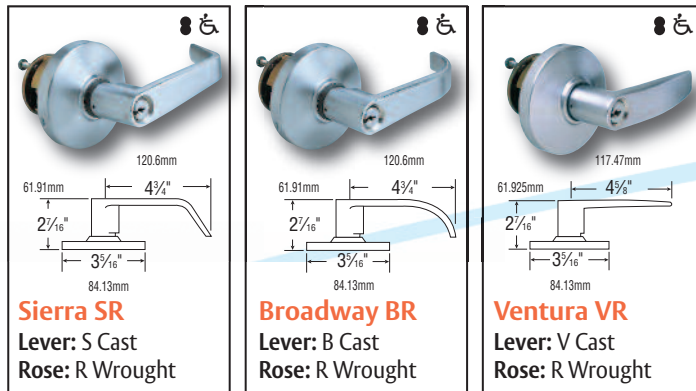


Lever Trim:



Knob Trim:

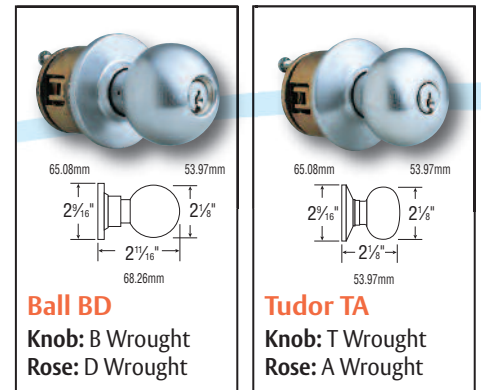
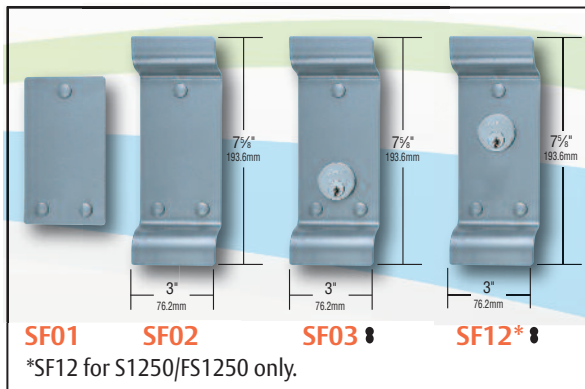


Plate Trim:



Lever Trim Cover Plate:

