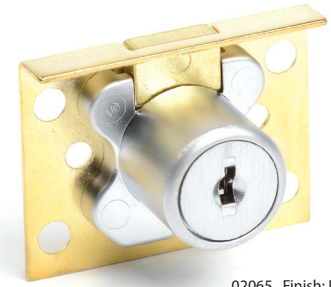


# Drawer Locks

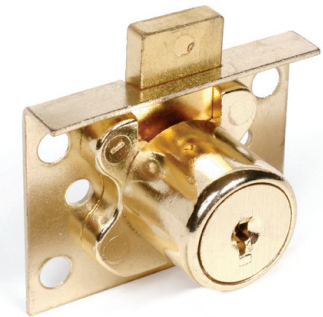
## 02065 | 02065 1/2 Drawer Locks DISC TUMBLER 7/8"

Part#	Length	Keyed	Master Keyed	Finish	MFT PT #	Stock Quantity	Boxed Weight lbs/oz	MSRP
<b>Stock Items 48 Hour Shipping:</b>								
02065	7/8"	KD		US4	00152	25	5/14	\$9.45
02065	7/8"	KA CAT30		US4	02673	25	5/14	\$9.45
02065	7/8"	KA AUE1		US4	00153	25	5/14	\$9.45
02065	7/8"	KA CAT30		US26D	02674	25	5/14	\$9.45
K02065	7/8"	KD Carded		US4	00151	8	6/8	\$9.45
02065 1/2	7/8"	KD		US4	00155	25	6/0	\$9.45
02065 1/2	7/8"	KA CAT30		US4	02677	25	6/0	\$9.45
02065 1/2	7/8"	KA AUE1		US4	02678	25	6/0	\$9.45
02065 1/2	7/8"	KA CAT30		US26D	02679	25	6/0	\$9.45
<b>Made-to-Order Items:</b>								
02065	7/8"		Y	US4				\$10.50
02065	7/8"		Y	US26D				\$10.50
02065-1/2"	7/8"		Y	US4				\$10.50
02065-1/2"	7/8"		Y	US26D				\$10.50
265				US4	016F542			\$1.84
CCL21	Plastic Spacer for 7/8" diameter locks, 3/32" thickness, WP21 Olympus Conversion, 10 shelf pack							\$2.10
	Master Keying Charge							\$4.41

- 7/8" can be masterkeyed
- **Material:** Brass plated steel backplate, cylinder and bolt, pressure cast
- **Strike No.:** 7S, brass US4 only, furnished only when ordered
- **Rekeying:** Plug removal hole added to allow of for removal of plug assembly for rekeying purposes. To remove plug, insert key and rotate 90 degrees. Insert end of small tool (e.g., paper clip) into access hole and depress retainer while pulling key and plug out.



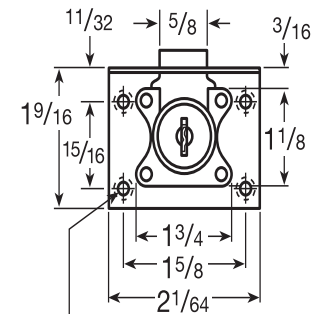
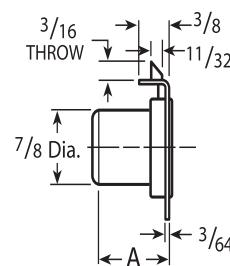
02065 Finish: US26D



02065



02065 1/2



COUNTERSUNK FOR No. 4 SCREWS

**HALF MORTISE MOUNTING**

