

Cam Locks

CK2113 | CK3113 | CK4113 Rotary Combination Cam Lock

Part#	Length	Keyed	Finish	MFT PT #	Stock Quantity	Boxed Weight lbs/oz	MSRP
-------	--------	-------	--------	----------	----------------	---------------------	------

Stock Items 48 Hour Shipping:

CK2113CD	5/8"	CD	Zinc	03211	10	2/2	\$13.65
CK2113CA	5/8"	CA	Zinc	03230	10	2/2	\$13.65
CK3113CD	7/8"	CD	Zinc	03212	10	2/4	\$15.23
CK3113CA	7/8"	CA	Zinc	03231	10	2/4	\$15.23
CK4113CD	1-1/8"	CD	Zinc	03213	10	2/6	\$16.28
CK4113CA	1-1/8"	CA	Zinc	03232	10	2/6	\$16.28

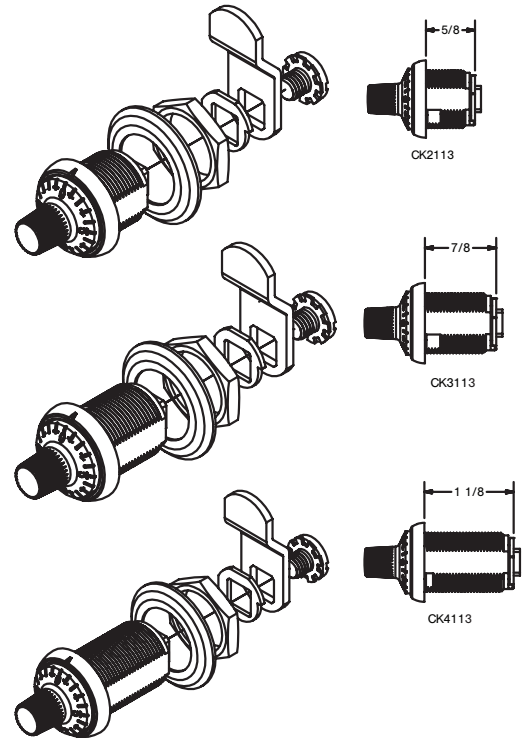
- **Vault Knob:** Die-cast zinc; zinc and yellow chromate-finished, then black polyurethane painted, plus over painted white numbers
- **Shell:** Die-cast zinc; polished plus copper and nickel-plated
- **Cylinder & Mounting Nut:** Die-cast zinc; zinc and clear chromate-finished
- **Combination Discs:** Carbon steel; case-hardened and nickel-plated



CK4114



CK4114



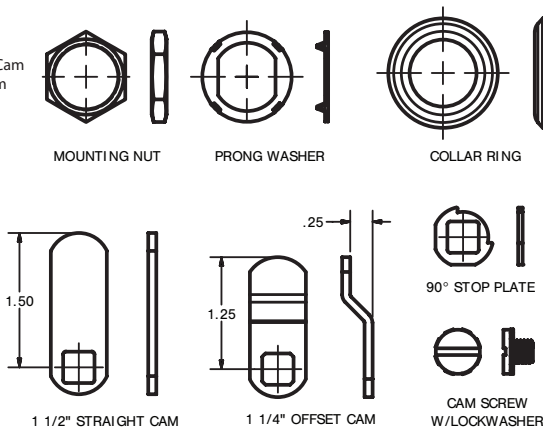
CK2113

CK3113

CK4113

Contents

- Screw Lockwasher
- COF25001/4" Offset Cam
- CFL1500 Straight Cam
- 90° Stop Cam
- 3/4" Cylinder Nut
- Pronged Washer
- Collar Ring



MOUNTING NUT

PRONG WASHER

COLLAR RING

90° STOP PLATE

CAM SCREW W/LOCKWASHER

1 1/2" STRAIGHT CAM

1 1/4" OFFSET CAM

Cam No.	Cam Length	CK2113			CK3113			CK4113		
		B	B ¹	B ⁰	B	B ¹	B ⁰	B	B ¹	B ⁰
CFL1500	1-1/2"	5/8"			7/8"			1-1/8"		
COF2500	1-1/4"		3/8"	7/8"		5/8"	1-1/8"		7/8"	1-3/8"

