



- *Continuous Hinge Applications*
- *Butt Hinge Applications*
- *Easy Installation*
- *Supports up to 180 degree swing*
- *3-Year Warranty*

Quality, selection & pricing second to none

This patented **Concealed Door Loop (CDL)** is a low cost method of transferring low voltage power from the door frame to the locking device. Whereas typical door loops are surface mounted and remain constantly visible, the CDL slides into the door and/or frame completely concealing itself when the door is closed. Designed for Continuous and Butt hinge applications that are either full mortise, half mortise or half surface and have a standard throw. Commonly installed where ETH hinges are cost prohibitive and surface door loops are not desired. The CDL's aesthetic appeal will benefit retrofits and new installations alike.

U.S. Customer Support
1-888-622-2377

Visit our website for more details
www.CommandAccess.com

Canada Customer Support
1-855-823-3002



Features:

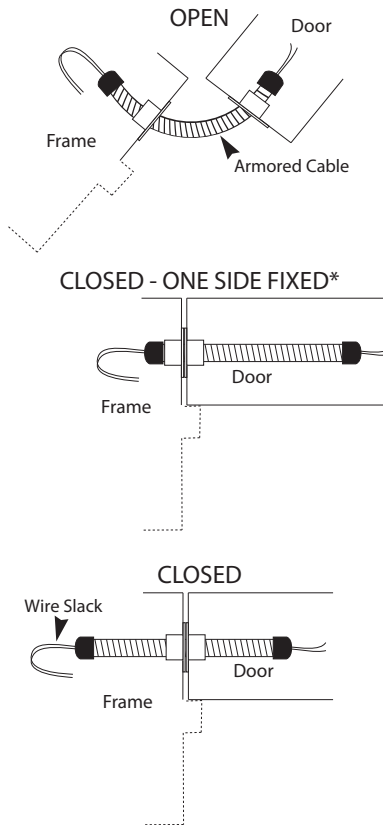
- Available in aluminum or black finishes
- Durable finish
- Easy Installation
- Variable mounting locations
- Special 1/4" flexible armored conduit
- Supports up to 180 degree swing

Configurations available* for Continuous and Butt hinges:

- CDL-AL - Standard 6" length with aluminum finished caps
- CDL-BLK - Standard 6" length with black finished caps
- CDL-AL-FX - Standard 6" length with aluminum finished caps & 1 side fixed to create complete concealment in the opposing side
- CDL-BLK-FX - Standard 6" length with black finished caps & 1 side fixed to create complete concealment in the opposing side

* For narrow frame and door conditions see 3/4" pivot models (CDL-AL-EXT, CDL-BLK-EXT)

CDL FUNCTIONALITY



* Either Door or Frame can be fixed

Model No.	Notes:		
Customer:	Job No./Name:	Date:	Provided by: