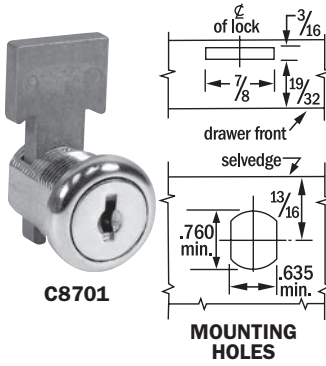


# disc tumbler drawer locks



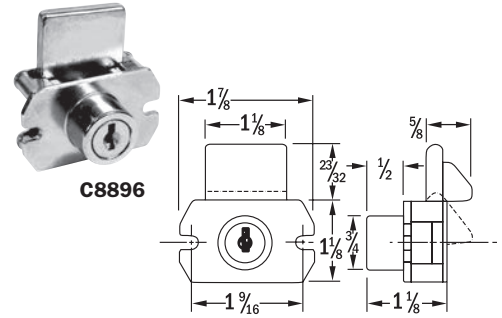
**APPLICATION** - C8701: for center drawers of metal desks. Fits special piercing of drawer front and selvage (see drawing). C8896 is a specific replacement lock.

**OPERATION** - Key removable in both locked and unlocked positions.

**KEYING** - C8701 will key together with all other disc tumbler locks using D8785 key blank. See table for available keying. Master keying to E41A using D8783 key blank.

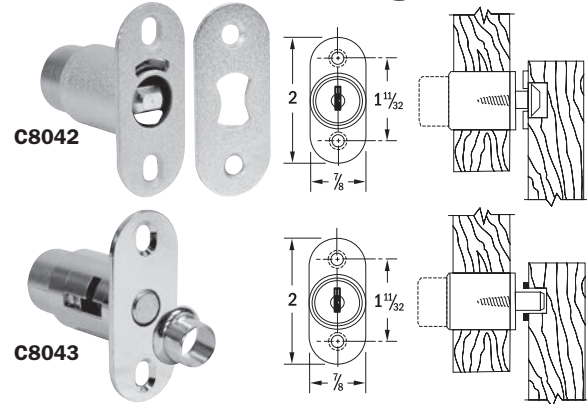
**PACKAGING** - Supplied with two keys. C8701 furnished with mounting nut.

**Part No.: M503441026X150J** - Replacement insertable bolts for C8701.



Part No.	Installation	Bolt Type	Cylinder Length	Bolt Travel	KA* Codes	Key Changes		Reference Number	Key Blank
						KD	MKKD		
C8701-14A	Metal Drawer, 1/4" max. mat'l. thickness	Reinforced Insertable Dead Bolt	19/32"	11/32"	6	200	200	M4-0344-001	D8785
C8896-26D	Desk Drawer	Dead	1/2"	5/8"	1	50	-	M4-5596-001	D8785

# disc tumbler sliding door locks

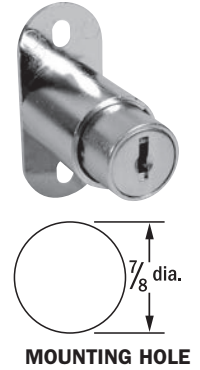


**APPLICATION** - For wood sliding doors. Requires a 7/8" diameter hole in front door for cylinder.

**OPERATION** - C8042: push in cylinder, key turn engages bolt behind strike. C8043: pushing in cylinder locks doors. Key removable in both locked and unlocked positions.

**KEYING** - Will key together with all other disc tumbler locks using D8785 key blank. See table for keying. Master keying to E41A using D8783 key blank.

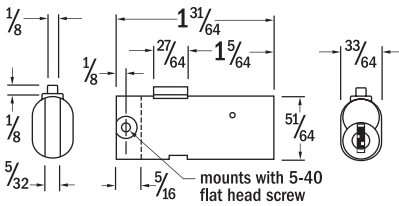
**PACKAGING** - Supplied with two keys, strike and mounting screws. If trim ring is required, order C2017 separately.



Part No.	Installation	Bolt Type	Cylinder Length	Bolt Travel	KA* Codes	Key Changes		Reference Number	Non MK Key Blank
						KD	MKKD		
C8042-26D	Sliding Doors	90° Turn Hook	7/8"	7/16"	3	200	-	M4-0057-001	D8785
C8043-26D	Sliding Doors	Plunger	1"	7/16"	6	200	200	M4-0055	D8785
C8043-3	Sliding Doors	Plunger	1"	7/16"	6	200	-	M4-0055	D8785
C8043-14A	Sliding Doors	Plunger	1"	7/16"	6	200	-	M4-0055	D8785

\*Key Codes used: 1 Code - C415A.  
 3 Codes - C346A, C413A and C415A.  
 6 Codes - C346A, C390A, C413A, C415A, C420A and C642A.

# disc tumbler file cabinet locks

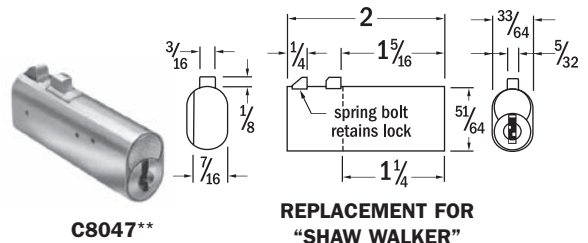


**APPLICATION** - Used internally on filing cabinets to gang lock drawers.

**OPERATION** - Key removable in locked position only.

**KEYING** - Keyed only to "Pundra" keyway. See table for available keying.

**PACKAGING** - Supplied with two keys.



Part No.	Installation	Bolt Type	Bolt Travel	KA* Codes	Key Changes		Reference Number	Key Blank
					KD	MKKD		
C8046-26	Filing Cabinet	Spring	1/8"	1	200	-	P4-3003	D8776
C8047-26**	Filing Cabinet	Spring	1/8"	1	200	-	P4-3012	D8776

\* Key Codes used: 1 Code - P141A.  
 \*\* Item will be discontinued when inventory is depleted.