

pin tumbler mail box locks

GENUINE FACTORY REPLACEMENT LOCKS

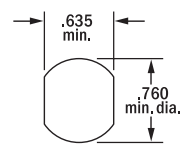
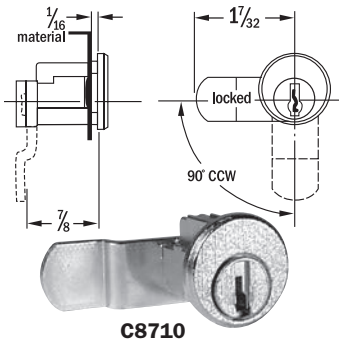
APPLICATION - For doors on architectural mail boxes serviced by United States Postal Service.

OPERATION - 90° cam turn. See drawing for specific operation. Key removal in locked position only.

KEYING - Available keyed differently only (100 changes).

PACKAGING - Supplied with two keys and a spring mounting clip. C8720 furnished with trim ring.

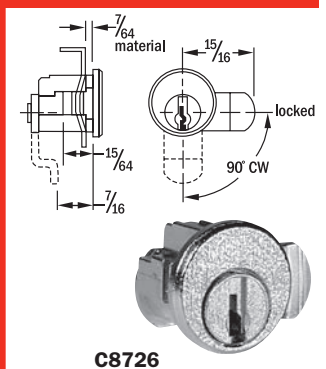
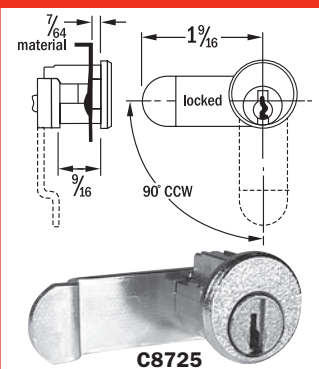
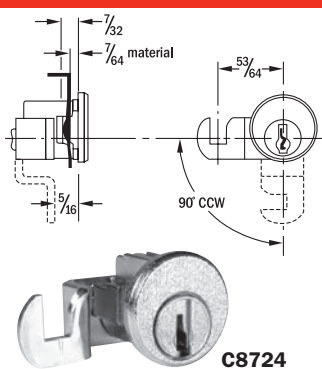
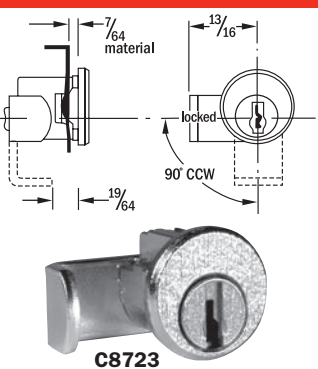
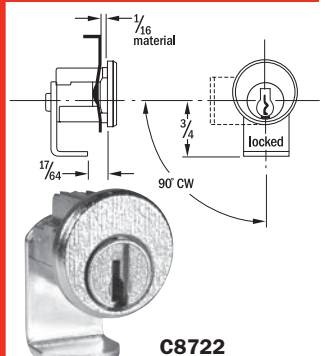
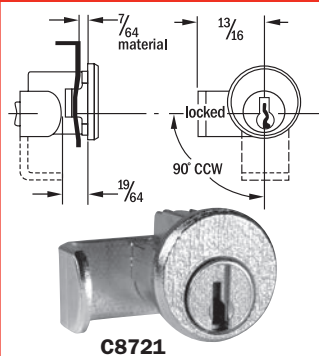
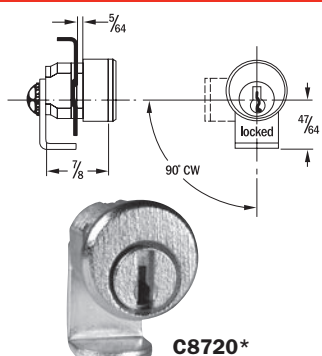
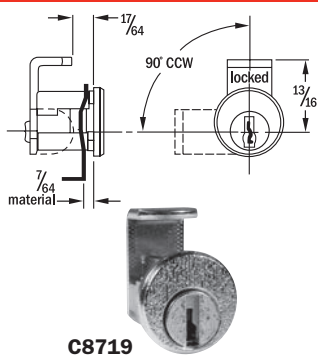
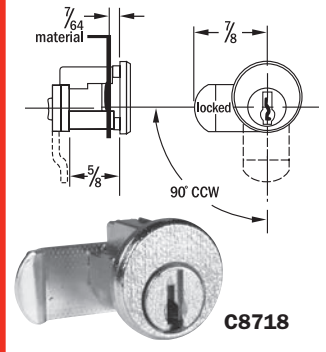
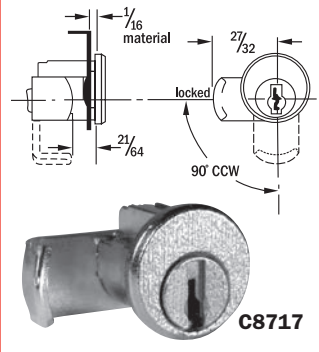
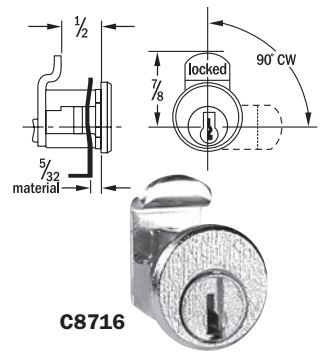
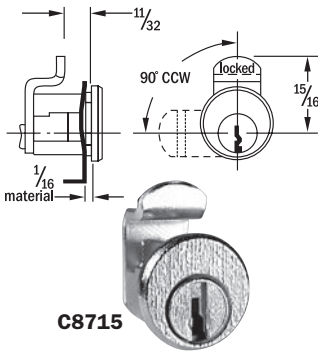
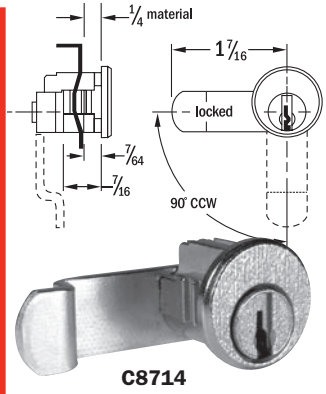
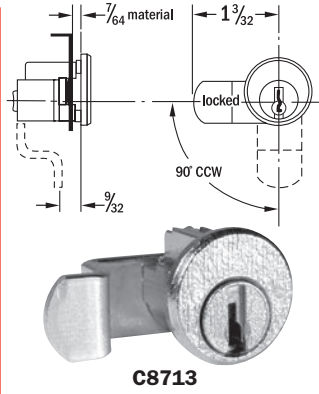
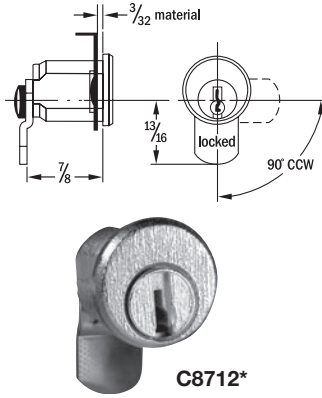
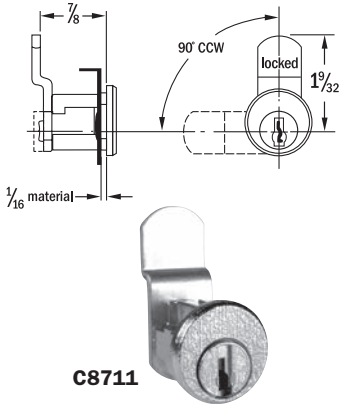
*C8712 and C8720 are provided with a **threaded cylinder**, with proper clip grooving.



MOUNTING HOLE FOR ALL LOCKS



SPRING MOUNTING CLIP



pin tumbler mail box locks

Part No.	Locked Cam Position	Direction of Turn to Open	Replaces	Key Changes KD	Key Blank
C8710	Left	90° c/cw	Bommer Industries	100	D4291
C8711	Up	90° c/cw	Bommer Industries	100	D4291
C8712	Down	90° c/cw	Bommer Industries	100	D4291
C8713	Left	90° c/cw	Auth Electric – Also replaces Bommer Lock B25-300 used on Bommer Box No. 9015 (sleeve inside box must be removed)	100	D4291
C8714	Left	90° c/cw	American Device	100	D4291
C8715	Up	90° c/cw	Florence Mfg.	100	D4291
C8716	Up	90° cw	S.H. Couch	100	D4291
C8717	Left	90° c/cw	Nutone	100	D4291
C8718	Left	90° c/cw	Cutler Mail Chute	100	D4291
C8719	Up	90° c/cw	Miami-Carey	100	D4291
C8720	Down	90° cw	Dura Steel	100	D4291
C8721	Left	90° c/cw	Permabit – XL-201	100	D4291
C8722	Down	90° cw	Dura Steel – XL-202	100	D4291
C8723	Left	90° c/cw	Jensen General	100	D4291
C8724	Left	90° c/cw	Bommer Industries	100	D4291
C8725	Left	90° c/cw	Cutler Federal	100	D4291
C8726	Right	90° cw	Riopel – Canada	100	D4291

New Mailbox Lock – C9100 & C9200

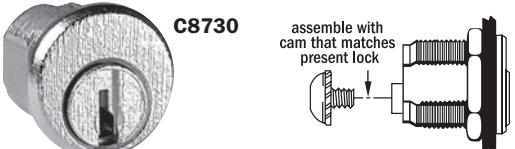


- Only mailbox lock to meet and exceed United States Postal Service specification "USPS-L-1172C"
- Lock can withstand 1000 pounds of force applied to the cam.
- Accommodates up to 3/16" thick cam
- Drain holes on the bottom of the cylinder
- Includes: a spring clip, mounting nut and (3) keys
- C9100 operates clockwise
- C9200 operates counter clockwise
- Will be shipped w/o cam for replacement of locks for new Standard 4C boxes shipped only to USPS

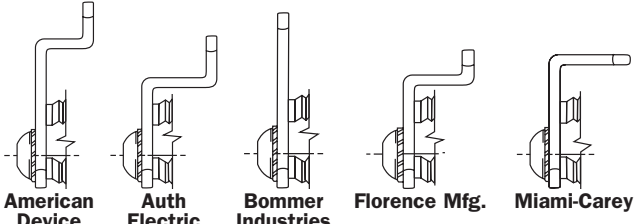
Key Blank codes:

Standard Part no. D4300	Reverse Part no. D4301
1000 - 1999	2000 - 2999
3000 - 3999	4000 - 4999

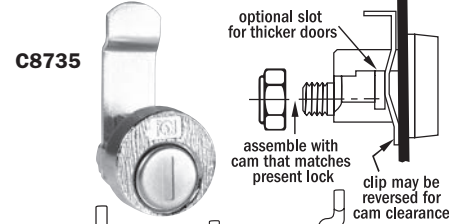
pin tumbler "multi-cam"™ mail box locks



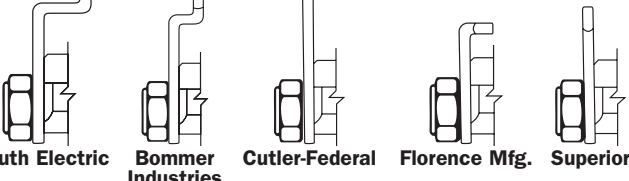
C8730
assemble with cam that matches present lock



American Device Auth Electric Bommer Industries Florence Mfg. Miami-Carey



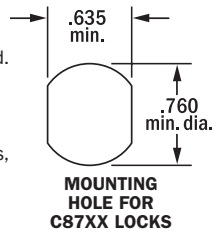
C8735
optional slot for thicker doors
assemble with cam that matches present lock
clip may be reversed for cam clearance



Auth Electric Bommer Industries Cutler-Federal Florence Mfg. Superior

THIS LOCK MEETS U.S.P.S. SPECIFICATION #L-1172 AND DRAWING #1003833 FOR NDCBU AND CBU APPLICATIONS.

APPLICATION – Interior architectural mail boxes used in apartments, condominiums, schools, lobbies. Nut or clip mounted.
OPERATION – 90° counter-clockwise cam turn to open. Key removable in locked position only.
KEYING – Available keyed differently only (100 changes).
PACKAGING – Supplied with selection of five cams, two keys, mounting nut, mounting clip and cam screw.

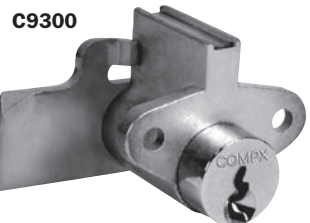


APPLICATION – Exterior pedestal-mounted neighborhood boxes. Has keyway dust shutter for lock protection. Clip mounted.
OPERATION – 90° clockwise cam turn to open. Key removable in locked position.
KEYING – Available keyed differently only (100 changes).
PACKAGING – Supplied with a selection of five cams, two keys, mounting clip, cam locking nut.

Part No.	Installation	Direction of Turn to Open	Key Changes KD	Key Blank
C8730	Architectural mail box fronts	90° c/cw	100	D4291
C8732	Same as C8735 w/o cams	90° cw	100	D4291
C8733	Same as C8735 w/o cams	90° c/cw	100	D4291
C8735	Door of pedestal mounted neighborhood boxes	90° cw	100	D4291

new! postal lock for non-USPS delivered sites

C9300



The new C9300 postal lock is for private delivery postal mailboxes only in colleges, universities, commercial buildings, mail / parcel centers.

APPLICATION – Interior or exterior, pedestal-mounted or in-wall boxes. Screw mounted. Hardware not included. Commercial equivalent of USPS 306-B.
OPERATION – 90° counter-clockwise cam turn to open. Key removable in locked position.
KEYING – Available keyed differently only (4,000 changes).
PACKAGING – Supplied with cam assembled and three keys. Case quantity: 25 per box.

