



HFX-700M

HFX-900L



HFX-720MS

HFX-900RS



# HFX 700M

Color Hands Free Kit with 3.5" LCD Monitor



Color hands free kit with 3.5" monitor. Includes master monitor, doorbell station with its own power supply. Expandable to 2 door cameras and 4 inside monitors.

### Includes:

- master monitor
- doorbell camera
- power supply

- ✓ Expandable up to 2 doorbell cameras and 4 inside monitors
- ✓ Simple 2 wire installation (CAT5 to 18WG)
- ✓ "All-Page" intercom communication between monitors
- ✓ Camera angle manually adjustable (vertical adjustment)
- ✓ White LED illumination on the door camera in low lighting conditions
- ✓ Vandal/ weather resistant metal door bell housing (EX-700V/EX-700VS) (optional)
- ✓ Remote door release (12VDC or N.O contact)\* (field selectable)
- ✓ Video input from a CCTV camera (optional)

### Optional Parts:

#### EX-700H EXPANSION MONITOR

Display: 3.5" Digital TFT-LCD  
 Resolution: 320 X 240 pixels  
 Auto Timer (Visitor call):  
 30 seconds time out / 90 seconds for conversation  
 Auto Timer (Intercom):  
 20 seconds time out / 90 seconds for conversation  
 Operating Temperature: 14°F~140°, Indoor  
 Dimensions (w/bracket): 4.65" L X 7.0" W X 1.42" D

#### EX-700D EXPANSION DOORBELL STATIONS

Image Sensor: 1/ 3" CMOS  
 Resolution: 300,000 PIXELS (NTCS)  
 Camera Lens: F/NO: 2.0 (120 Degree)  
 Auto Light Sensor: enable/ disable selectable (JP2)  
 Dimensions (w/ bracket):  
 3.8" (L) x 6.9" (W) x 1.7" (D)

#### EX-VIN VIDEO INPUT MODEUL FOR HFX-700 SERIES

#### EX-HUB HOME RUN HUB / REPEATER MODULE

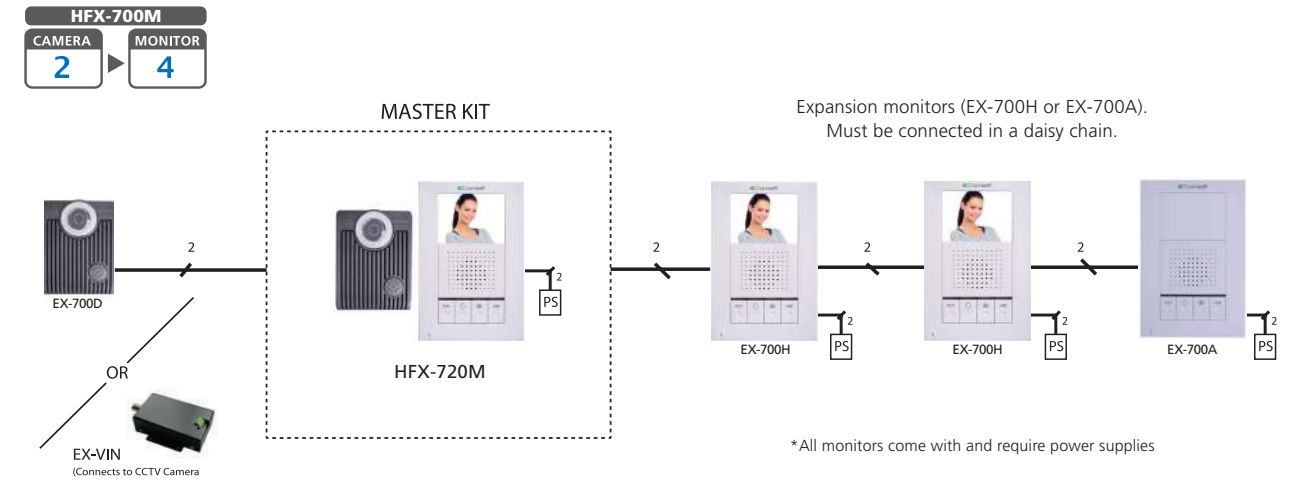
#### EX-700VS SURFACE MOUNT METAL DOORBELL COVER

#### CDSK MONITOR DESK MOUNT OPTION

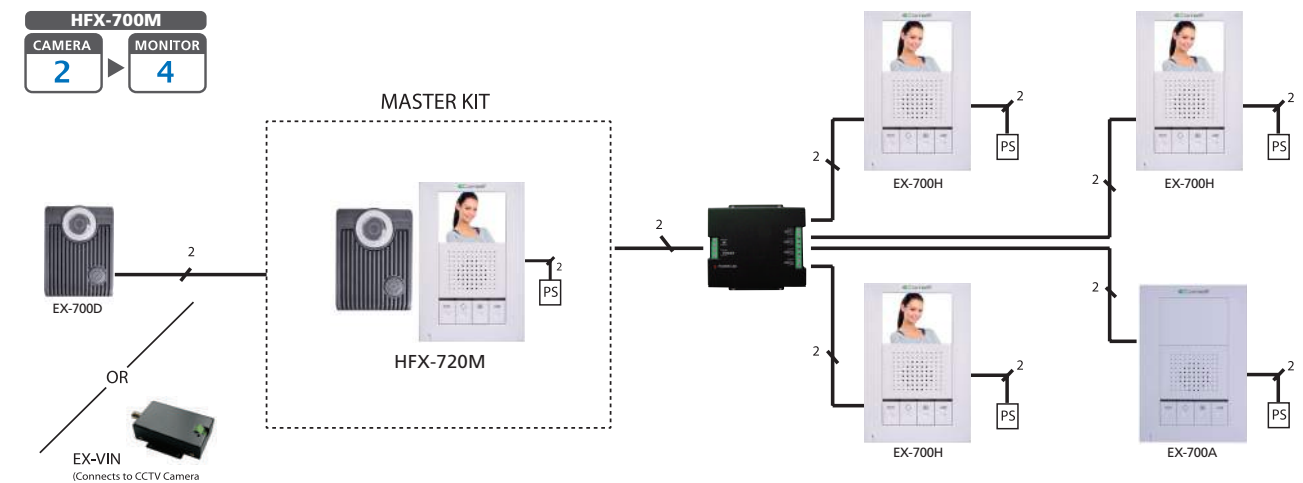
#### EX-700V FLUSH MOUNT METAL COVER FOR DOOR STATION

# WIRING DIAGRAMS

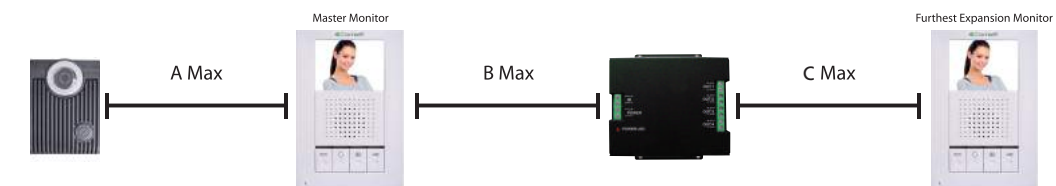
## BASIC WIRING DIAGRAM



## EXPANSION WIRING DIAGRAM WITH THE EX-HUB



## CABLE DISTANCE CHART



Maximum Wiring Distance (using dry contact lock control at doorbell camera)					Maximum Wiring Distance (using the 12VDC/300mA lock control at doorbell camera)				
WIRE TYPE	WIRE ASSIGNMENT	A MAX	B MAX	C MAX	WIRE TYPE	WIRE ASSIGNMENT	A MAX	B MAX	C MAX
CAT 5 (#24 AWG)	Signal wires	328 FEET	328 FEET	328 FEET	#22 AWG	Signal wires	164 FEET	164 FEET	328 FEET
#22 AWG	Signal wires	328 FEET	328 FEET	328 FEET	#18 AWG	Signal wires	328 FEET	328 FEET	328 FEET
#18 AWG	Signal wires	328 FEET	328 FEET	328 FEET					

# HFX 720MS

NEW! Video Intercom Kit with Slim Monitor



The HFX-720MS brings innovative technology and affordability to your home or business. The kit is convenient and easy to install yet has all the great functions you have come to love and expect from the HFX Series. Designed to be flush mounted or surface mounted, the outside and inside units were designed in Italy to look great, but still be functional.

### Includes:

- master monitor
- NEW DESIGN!** doorbell
- power supply

- ✓ Simple 2 wire installation (CAT5 to 18AWG)
- ✓ Expandable up to 2 cameras total
- ✓ Wide angle camera
- ✓ LED illuminator
- ✓ Door release connection (12VDC or N.O contact)
- ✓ Weather resistant doorbell housing
- ✓ Surface mount box (6320) included for the monitor

### Optional Parts:

#### EX-720H EXPANSION MONITOR

Display: 3.5" digital TFT-LCD  
 Resolution: 320 x 240 pixels  
 Auto Timer (visitor call): 30 second time out; 90 seconds for conversation  
 Auto Timer (intercom): 20 second time out; 90 seconds For conversation  
 Dimensions (w/ bracket): 5.4 (L) x 5.4 (W) x 0.98 (D)  
 Power adaptor: input 100~240VAC 50/60Hz; output 23VDC/1A(24W), external  
 Power consumption: standby 1.4W, operating 3.0W (maximum)

#### EX-DS EXPANSION DOORBELL STATION

Image Sensor: 1/3" CMOS  
 Resolution: 700TVL (ntsc)  
 Camera Lens: F/NO: 2.0 (120 Degree)  
 Auto Light Sensor: enable/ disable selectable (JP2)  
 Dimensions (w/ bracket): 5.5"(L) x 2.5" (W) x 1.7"(D)

#### EX-VIN CCTV VIDEO INPUT MODULE

#### EX-HUB HOME RUN HUB/ REPEATER MODULE

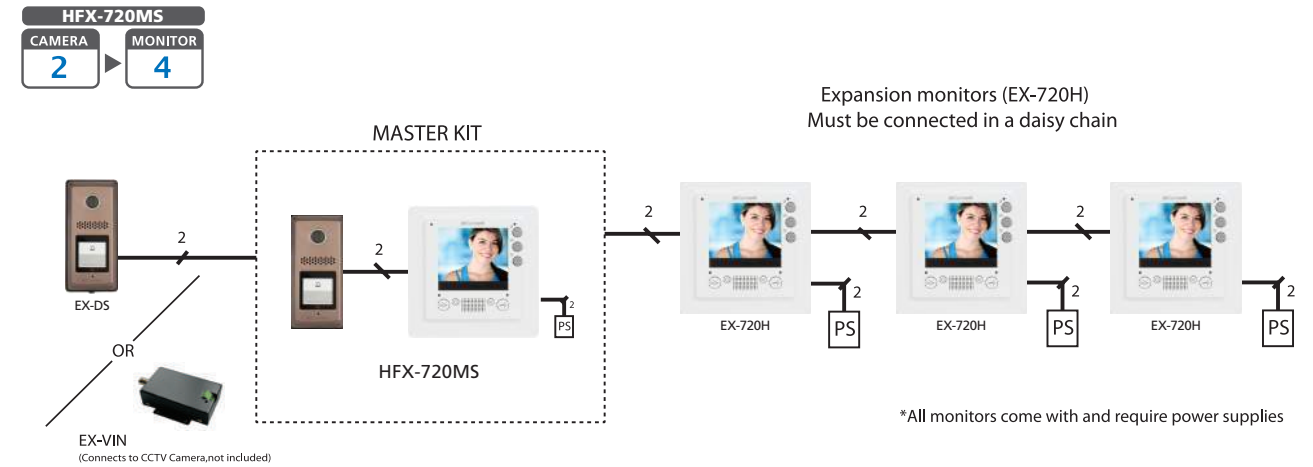
#### 6117U FLUSH MOUNT BOX

#### 6118 DRY-WALL HINGE BRACKET

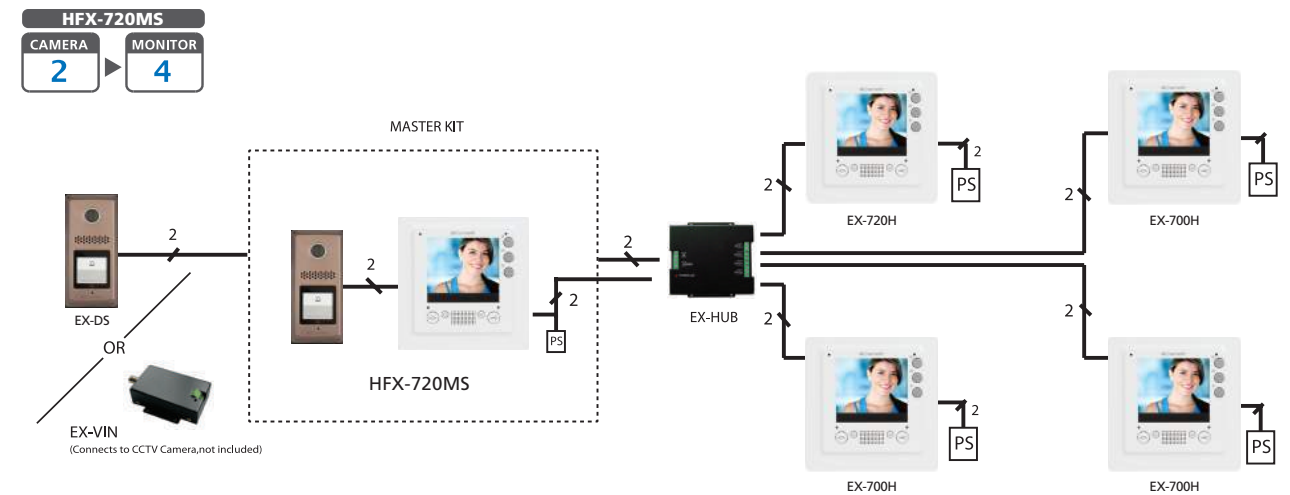
#### 6312 DESK BASE FOR MONITOR

# WIRING DIAGRAMS

## BASIC WIRING DIAGRAM



## HOME-RUN WIRING DIAGRAM



## CABLE DISTANCE CHART

Maximum Wiring Distance (using dry contact lock control at doorbell camera)					Maximum Wiring Distance (using the 12VDC/300mA lock control at doorbell camera)				
WIRE TYPE	WIRE ASSIGNMENT	A MAX	B MAX	C MAX	WIRE TYPE	WIRE ASSIGNMENT	A MAX	B MAX	C MAX
CAT 5 (#24 AWG)	Signal wires	328 FEET	328 FEET	328 FEET	#22 AWG	Signal wires	164 FEET	164 FEET	328 FEET
#22 AWG	Signal wires	328 FEET	328 FEET	328 FEET	#18 AWG	Signal wires	328 FEET	328 FEET	328 FEET
#18 AWG	Signal wires	328 FEET	328 FEET	328 FEET					

# HFX 900L

NEW! Basic 7" Video Intercom Kit

# WIRING DIAGRAMS



Both elegant and practical, the HFX-900L offers the user a full 7" touch screen monitor with an intuitive user interface which allows for use of all basic video intercom functions. The kit can be expanded to 2 doorbell stations and 8 inside monitors. Standard functions such as full two way communication between the entrance panel and the monitors, door release ability, and all page intercom make this a versatile device for any home or business.

### Includes:

NEW DESIGN! master monitor  
doorbell camera  
power supply

- ✓ Expandable to 2 door bells and 8 monitors
- ✓ Touch-screen controls
- ✓ Simple 2-wire installation (CAT5 to 18AWG)
- ✓ Built in door release (N.O dry contact , or 12V DC 300MA)
- ✓ All Page intercom between inside stations
- ✓ Both flush and surface mount boxes included

### Optional Parts:

#### EX-900H OPTIONAL VIDEO MONITOR

Display: 7" digital TFT- LCD  
Resolution: 800 x 480 pixels  
Auto Timer (visitor call): 30 second time out  
Auto Timer (intercom):20 seconds time out  
Dimensions (w/ bracket):  
9.06"(L) x 6.6"(W) x 1.25"(D)

#### EX-900D EXPANSION DOORBELL STATION

Image Sensor: 1/ 3" CMOS  
Resolution: 300,000 PIXELS (NTCS)  
Camera Lens: F/NO: 2.0 (120 Degree)  
Auto Light Sensor: enable/ disable selectable (JP2)  
Dimensions (w/ bracket):  
3.86"(L) x 5.12"(W) x 1.42"(D)

#### EX-VIN CCTV VIDEO INPUT MODULE

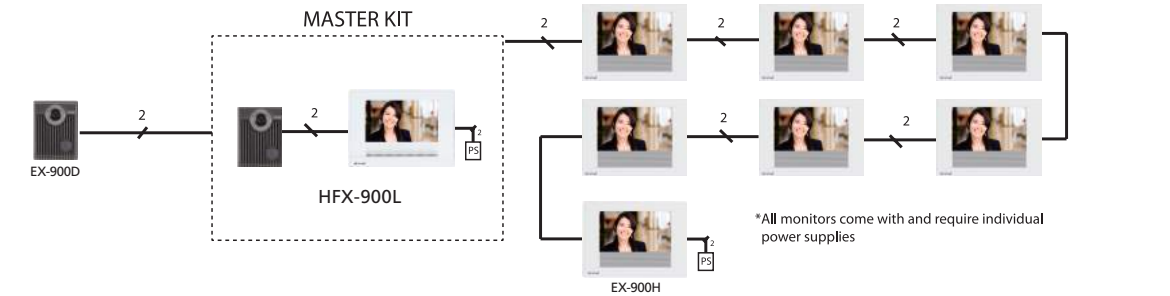
#### EX-HUB HOME RUN HUB/ REPEATER MODULE

#### CDSK-9 MONITOR DESK MOUNT OPTION

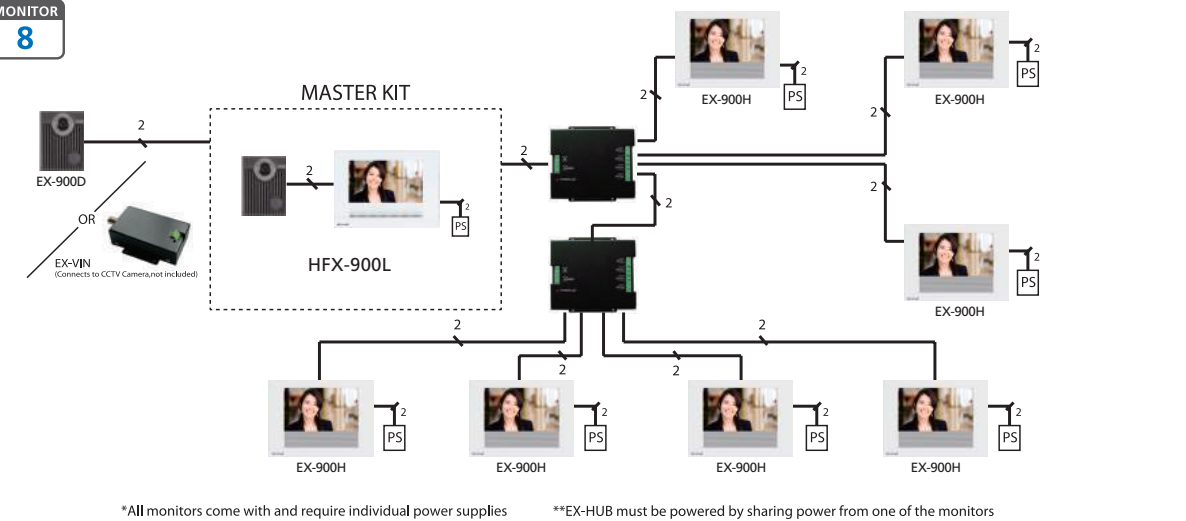
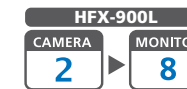
#### EX-700VS SURFACE MOUNT METAL DOORBELL COVER

#### EX-700V FLUSH MOUNT METAL DOORBELL COVER

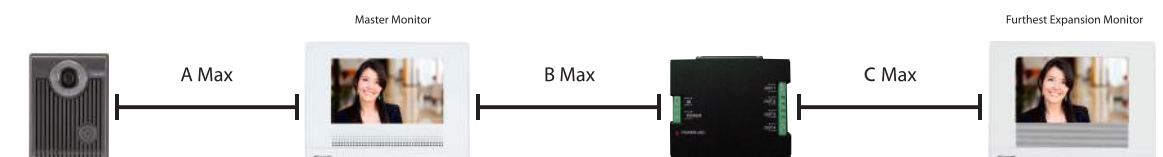
## BASIC WIRING DIAGRAM



## EXPANSION WIRING DIAGRAM WITH THE EX-HUB



## CABLE DISTANCE CHART



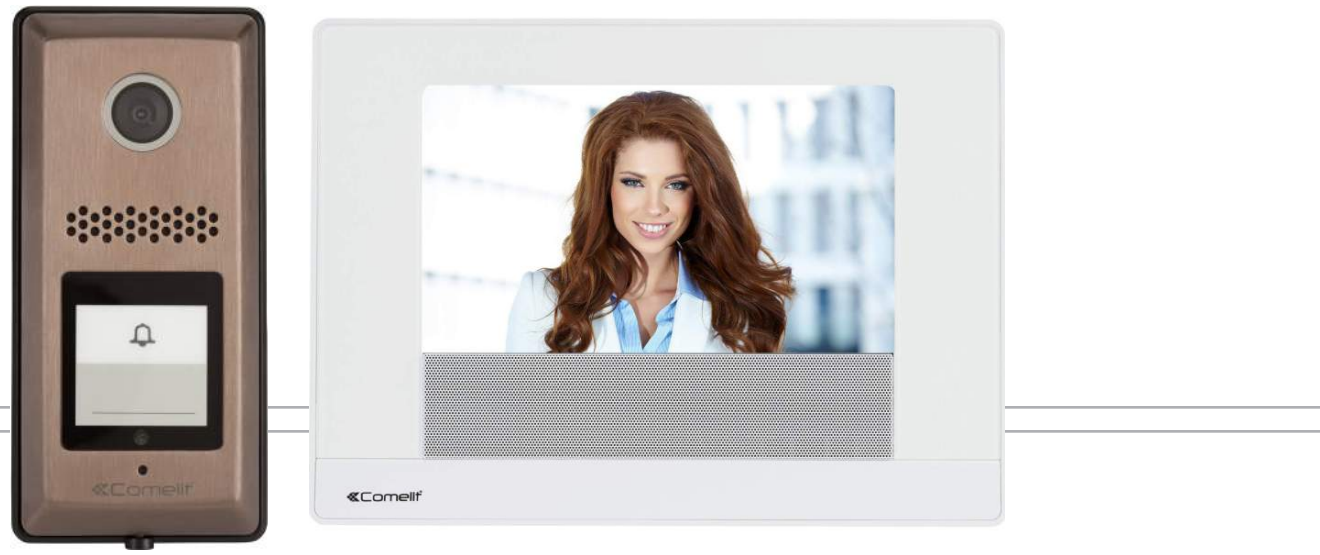
Maximum Wiring Distance (using dry contact lock control at doorbell camera)					Maximum Wiring Distance (using the 12VDC/300mA lock control at doorbell camera)				
WIRE TYPE	WIRE ASSIGNMENT	A MAX	B MAX	C MAX	WIRE TYPE	WIRE ASSIGNMENT	A MAX	B MAX	C MAX
CAT 5 (#24 AWG)	Signal wires	328 FEET	328 FEET	328 FEET	#22 AWG	Signal wires	164 FEET	164 FEET	328 FEET
#22 AWG	Signal wires	328 FEET	328 FEET	328 FEET	#18 AWG	Signal wires	328 FEET	328 FEET	328 FEET
#18 AWG	Signal wires	328 FEET	328 FEET	328 FEET					



# HFX 900RS

NEW! 7" Touch-Screen Video Intercom Kit with Video Recording

# WIRING DIAGRAMS



The HFX-900RS Series continues the tradition for the HFX series of feature rich video intercoms. Allowing the user a choice of expanding up to 4 doors and 8 inside stations, along with a 7" touch screen, call forwarding, and video memory functionality.

### Includes:

- master monitor
- NEW DESIGN! doorbell camera
- power supply

- ✓ Expandable to 4 door bells and 8 monitors
- ✓ Video recording on micro SD card
- ✓ Touch-screen controls
- ✓ Simple 2-wire installation (CAT5 to 18AWG)
- ✓ Built in door release (N.O dry contact, or 12V DC 300MA)
- ✓ All Page intercom between inside stations
- ✓ Call forwarding to mobile phone (telephone line required)
- ✓ Both flush and surface mount boxes included

### Optional Parts:

#### EX-900H OPTIONAL VIDEO MONITOR

Display: 7" digital TFT- LCD  
 Resolution: 800 x 480 pixels  
 Auto Timer (visitor call): 30 second time out  
 Auto Timer (intercom): 20 seconds time out  
 Dimensions (w/ bracket):  
 9.06" (L) x 6.6" (W) x 1.25" (D)

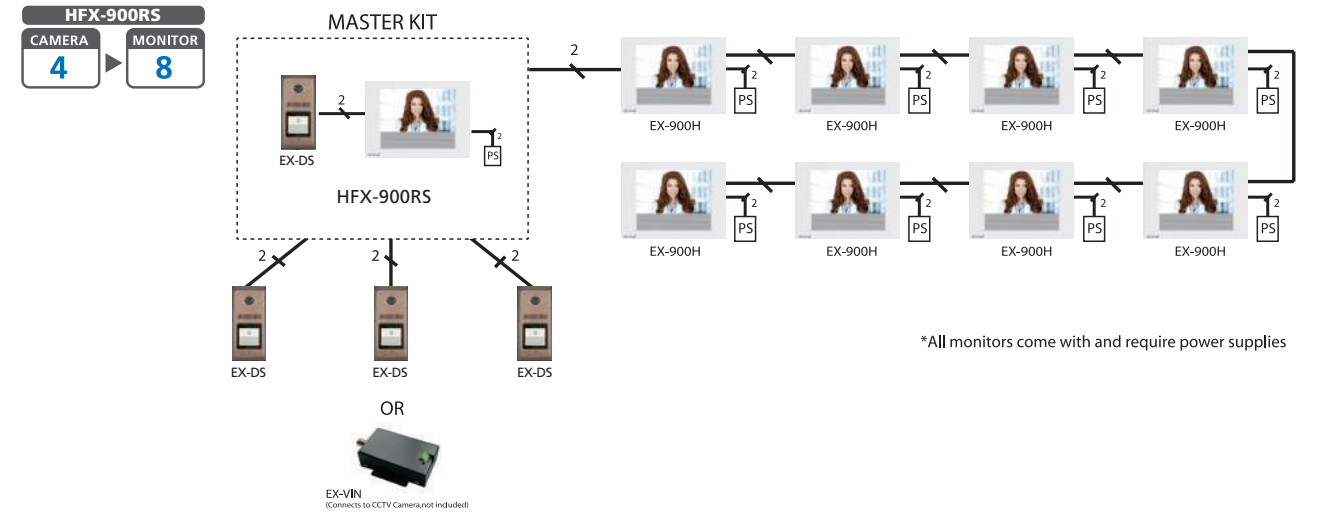
#### EX-DS EXPANSION DOORBELL STATION

Image Sensor: 1/3" CMOS  
 Resolution: 700TVL  
 Camera Lens: F/NO: 2.0 (120 Degree)  
 Auto Light Sensor: enable/ disable selectable (JP2)  
 Dimensions (w/ bracket):  
 3.8" (L) x 6.9" (W) x 1.7" (D)

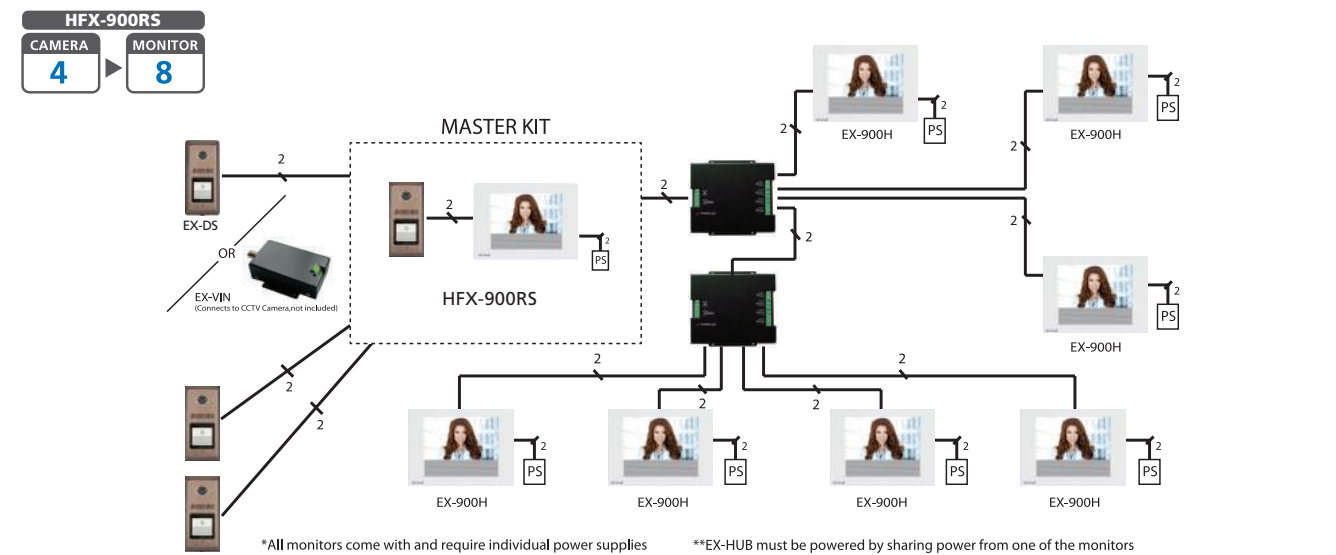
#### EX-VIN CCTV VIDEO INPUT MODULE

#### EX-HUB HOME RUN HUB/ REPEATER MODULE CDSK-9 MONITOR DESK MOUNT OPTION

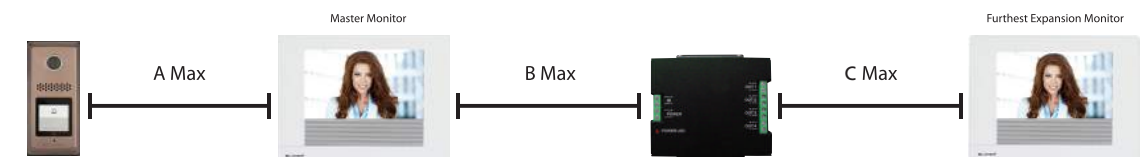
## BASIC WIRING DIAGRAM



## EXPANSION WIRING DIAGRAM WITH THE EX-HUB



## CABLE DISTANCE CHART



Maximum Wiring Distance (using dry contact lock control at doorbell camera)					Maximum Wiring Distance (using the 12VDC/300mA lock control at doorbell camera)				
WIRE TYPE	WIRE ASSIGNMENT	A MAX	B MAX	C MAX	WIRE TYPE	WIRE ASSIGNMENT	A MAX	B MAX	C MAX
CAT 5 (#24 AWG)	Signal wires	656 FEET	328 FEET	328 FEET	#22 AWG	Signal wires	164 FEET	164 FEET	328 FEET
#22 AWG	Signal wires	656 FEET	328 FEET	328 FEET					
#18 AWG	Signal wires	656 FEET	328 FEET	328 FEET	#18 AWG	Signal wires	328 FEET	328 FEET	328 FEET

# ACCESSORIES AND MOUNTING PARTS

# WHICH KIT IS RIGHT FOR ME?

## EX-700VS SURFACE MOUNT METAL DOORBELL COVER

- Works with EX-700D and EX-900D (not included)
- Aluminum door bell cover with weather treatment
- Sleek, but tough surface mount housing
- Steel back box. Rubber weather seal
- Comes with special security screws with wrench and the EX-900H



## EX-700V FLUSH MOUNT METAL DOORBELL COVER

- Metal flush mount for EX-700D and EX-900D



## 6117U FLUSH MOUNT BOX

- Plastic pre-construction box to be mounted on studs in the framing stage
- To be used with the HFX-720MS and EX-720H monitors



## 6118 DRY-WALL HINGE BRACKET

- Flush mount option for mounting directly into dry-wall
- Great for retrofit application
- To be used with the HFX-720MS and EX-720H monitors



## 6312 DESK BASE FOR MONITOR

- Plastic and aluminum desk base
- To be used with the HFX-720MS and EX-720H monitors



## CDSK MONITOR DESK MOUNT OPTION

- Plexiglass desk mount stand for the HFX-700M, EX-700H, HFX-720MS and EX720H monitors



## CDSK-9 MONITOR DESK MOUNT OPTION

- Plexiglass desk mount stand for the HFX-900RS and EX-900H monitors



## EX-VIN CCTV VIDEO INPUT MODULE

- Converts standard analog CCTV to be used with all HFX kits
- Can be connected to one analog CCTV camera
- Video signal can be viewed from any monitor
- Metal housing with mounting brackets attached



## EX-HUB HOME RUN HUB/REPEATER MODULE

- Metal housing with brackets for easy installation
- Home run hub, great for retrofit situations
- Repeats the digital signal, doubling the distance between the master and the last expansion (over 600ft.)
- Powered by the same power supply as the monitor or by a dedicated power supply (24V DC)



HFX-700M

HFX-900L



HFX-720MS

HFX-900RS

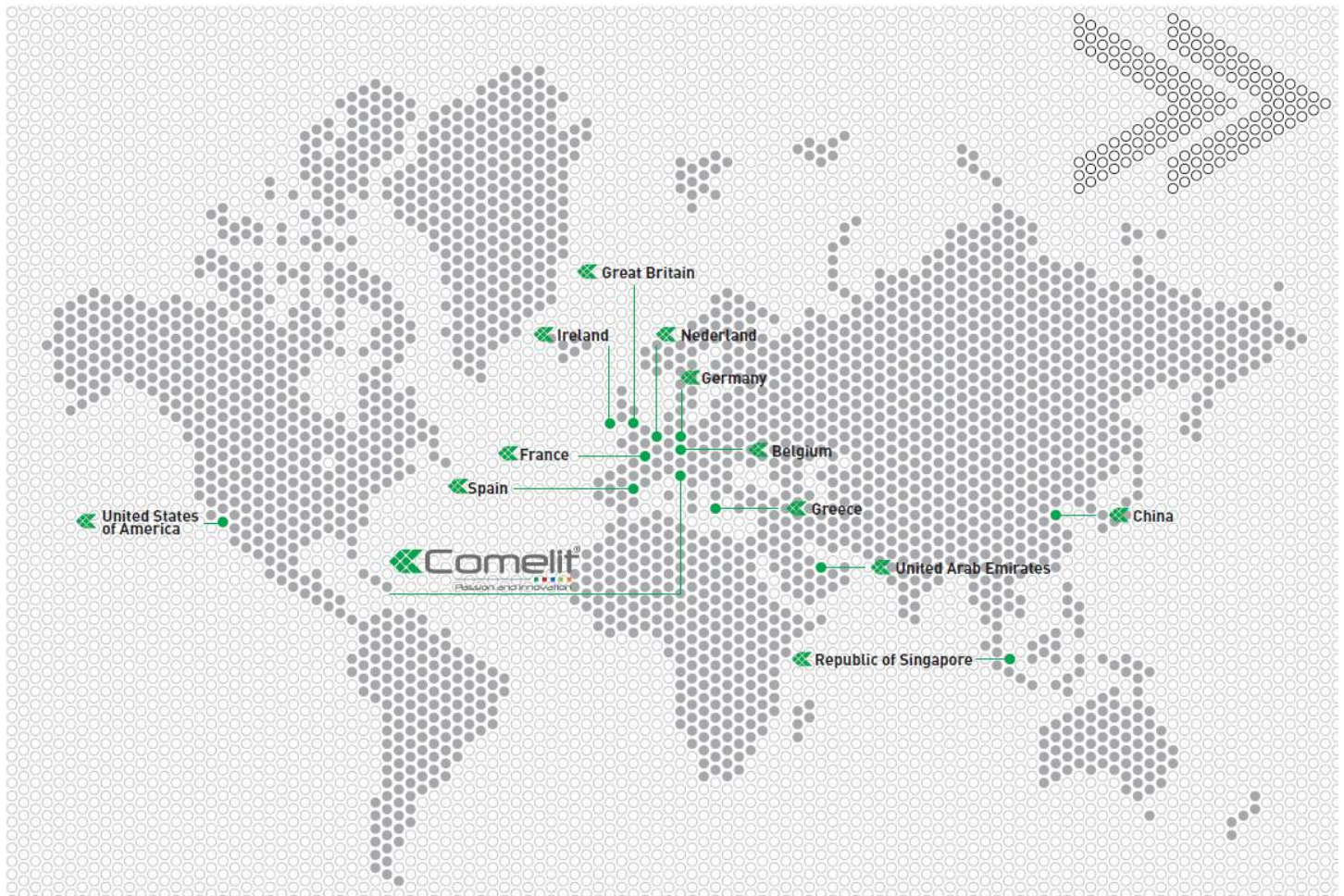


## HFX SERIES COMPARISON CHART

	700M	720MS	900L	900RS
Expandable up to 2 doorbell cameras and 4 inside monitors	✓	✓		
Expandable up to 2 doorbell cameras and 8 inside monitors				✓
Expandable up to 4 doorbell cameras and 8 inside monitors				✓
Simple 2-wire installation (CAT5 to 18AWG)	✓	✓	✓	✓
Built in door release (N.O dry contact , or 12V DC 300MA)	✓	✓	✓	✓
All Page intercom between monitors	✓	✓	✓	✓
Video input function (EX-VIN)	✓	✓	✓	✓
White LED illumination on the door camera in low lighting conditions	✓	✓	✓	✓
Touch-screen controls			✓	✓
Video recording on micro SD card				✓
Call forwarding to mobile phone (telephone line required)				✓



# LOCATIONS



## COMELIT USA

2021 S. Myrtle Ave.  
Monrovia, CA 91016  
Phone: 626 930 0388  
Toll-Free: 1 888 692 9739  
Fax: 626 930 0488  
sales@comelitusa.com  
[www.comelitusa.com](http://www.comelitusa.com)

## COMELIT GROUP SPA

(GLOBAL HEADQUARTERS)  
Via Don Arrigoni 5  
24020 Rovetta S. Lorenzo  
Bergamo - Italy  
Tel: 39 0346 750 011  
Fax: 39 0346 71436  
[www.comelitgroup.com](http://www.comelitgroup.com)