

AO19 SERIES®

AO19-1

Low Energy Automatic Door Operators for Single Doors

The AO19 Series Automatic Operator for single doors is an easy to install, heavy duty product for high use and high abuse low energy applications. The AO19 Series meets requirements for ANSI/BHMA A156.19 (American National Standard for Power Assist and Low Energy Power Operated Doors) and provides standard features that meet the requirements of the American Disabilities Act.



AO19-1 RH Push

Shown with 21 Series
Electric Latch
Retraction (ER)

Benefits

- Economical operator provides safe and easy access in medium to high-traffic and security areas
- Provides ADA compliant access to handicap applications
- Quiet operation
- Hanger plate allows quick installation
- Self-contained unit in an extruded case allows easy access for maintenance and adjustments
- Works with existing access control, locking and computer signal devices
- Reduced service calls due to heavy-duty construction
- 3-way low-voltage ON/OFF/HOLD switch for ease of service and setup
- 115VAC power plug-in mounted in header
- Easy manual use

Features

- Available in single, pair (twin) for independent, simultaneous and dual egress openings
- Power close applies a reverse power to aid in latch check position. Must be selected to activate.
- Single voltage source required to operate
- Adjustable delayed activation for sequenced vestibule doors
- Reverse on obstruction stalls a door during closing cycle and re-activates to open if an obstruction is sensed anytime before the latch position. Must be selected to activate.
- Adjustable closing speed
- Push & Go (Use for Handicap) activates when door is manually pushed to open. Must be selected to activate.
- Electric lock relay provides an adjustable delay before door opens to unlock an electric strike, maglock or other types of electric locks - prevents binding

Mechanical Options

- LH Push - Left Hand Push
- RH Push - Right Hand Push
- LH Pull - Left Hand Pull
- RH Pull - Right Hand Pull
- 39.5" - Fits above most 36" doors
- 45.5" - Fits above most 42" doors
- 52" - Fits above most 48" doors

Accessories

- 104792 - Wireless Button Package (includes 2 push plates, 2 mounting boxes and 1 receiver)
- PB-2048-3 - Mushroom switch, hard-wired
- DS-3681-630 - Electric Strike, cylindrical

Call for available activation options

Technical Information

Power Requirements -
 • 115VAC 60 HZ 3 amps

Motor
 • 115VDC rectified
 • 1/8 hp
 • 60:1 gearbox

Module -
 • Activation input terminals
 • Form C lock switch terminals
 • Safety lock-out built in
 • 17 additional features standard on board

Enclosure -
 • 7" h x 4 1/2" d
 • Approximately 50 lbs
 • Aluminum extrusion

- Push reveal depth up to 11" with standard arm. Extended arm available.
- Pull reveal depth up to 5"

Finishes

- AL - 204-Ri Clear: Arch. Class II anodized coating, AA-M12C22A31
- BZ - 313-Ri Dark Bronze: Arch. Class II Anodized coating, AA-M12C22A32

Listings and Approvals



Certified to ANSI/UL 325
 Tested - ANSI 156.19

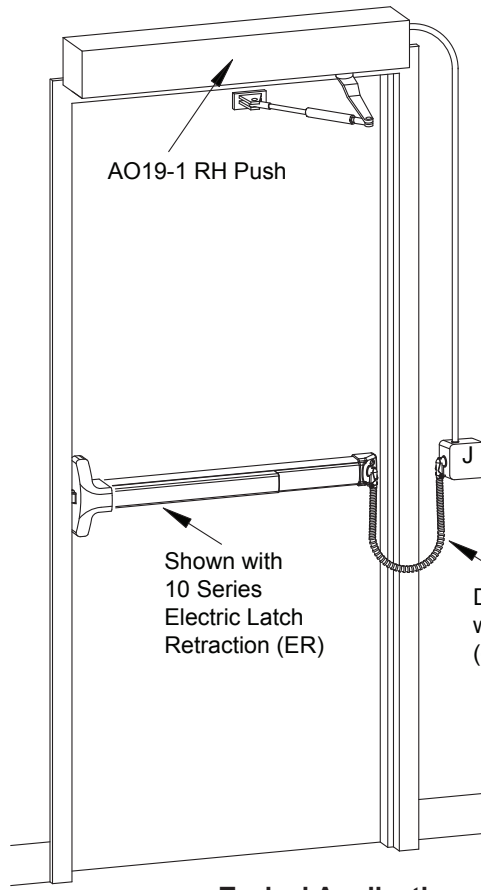


Meets ADA requirements



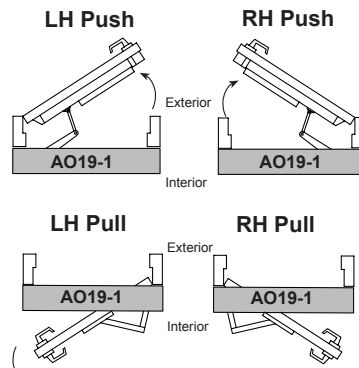
3-Hour Fire Listed

Riser Diagram



Typical Application

Handing Diagram



Detex Limited Warranty

3 Year Mechanical / 1 year Electrical
 Limited Manufacturer's Warranty



Detex Corporation
 302 Detex Drive
 New Braunfels, Texas 78130-3045 USA
 PH. (830) 629-2900
 (800) 729-3839
 FAX (800) 653-3839
<http://www.detex.com>
 USA Sales:
marketing@detex.com
 International Sales:
export@detex.com