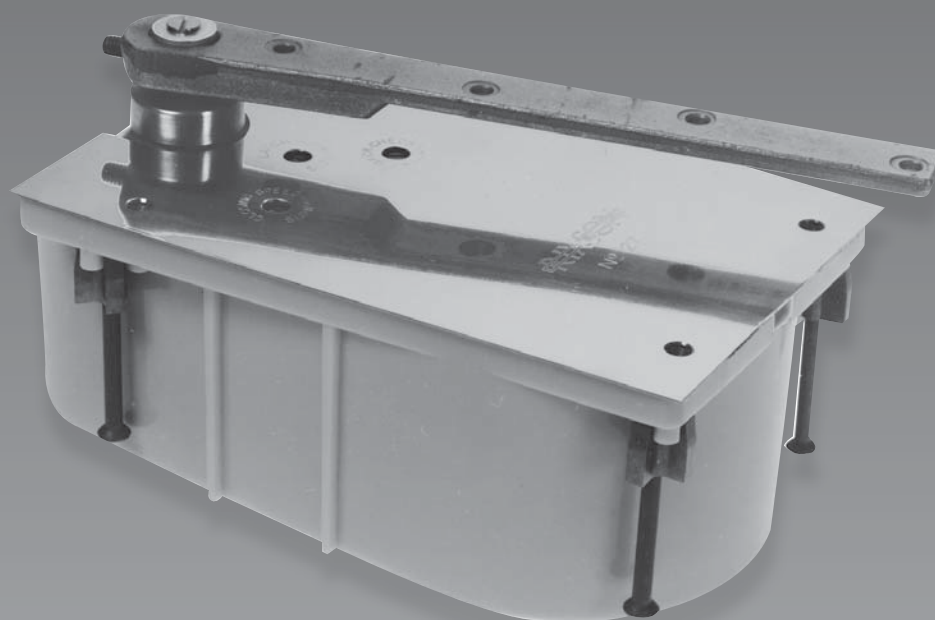


RIXSON®
ASSA ABLOY

ASSA ABLOY, the global leader
in door opening solutions



HEAVY-DUTY FLOOR CLOSERS

Complete Door Control for Exterior and
Interior, High Traffic, Heavy Doors,
Where Concealment is Desired

Copyright © 2001-2018, ASSA ABLOY Accessories and Door Controls Group, Inc.,
an ASSA ABLOY Group company. All rights reserved. Reproduction in whole or in
part without the express written permission of ASSA ABLOY Accessories and
Door Controls Group, Inc. is prohibited.

Application

- Single Acting, Handed
- Exterior or Interior Doors
- Weight to 450 lbs.*
- Door Width up to 4'0" (1219mm)

Product Description & Features

- 180 top pivot included
- M19 intermediate pivot(s) required (order separately)
- Available non-hold open (N) or selective hold open (S) at same degree as dead stop
- Built-in positive dead stop prevents door from swinging beyond the desired opening degree (specify 85°, 90°, 95°, 105°)
- Separate and independent valves for closing speed, latch speed and backcheck
- Vertical door adjustment
- Available with floor plate or threshold installation (floor plate shown)
- Cycolac, rust-proof cement case
- For arch top doors or applications when the 180 top pivot cannot be used, supply at least two each M190 load-bearing intermediate pivots, mounted together at the top of the straight vertical edge

Optional Features

- Delayed action option-prefix "DA" (non-hold open closers only)
- Cold weather fluid available – specify "CWF" (not available for closers with "DA")
- Sealed closer option – specify "SC"
- Available 1-1/2" offset, for doors with 3/4" cladding or frames with applied molding, maximum door weight 250 lbs.
- Extended spindles available in 1/2" increments up to 2" longer than standard
- Doors 60" (1524mm) to 90" (2286mm) in height should use one intermediate pivot. Each additional 30" (762mm) warrants another intermediate pivot
- Furnished with wood and machine screws

Compliance

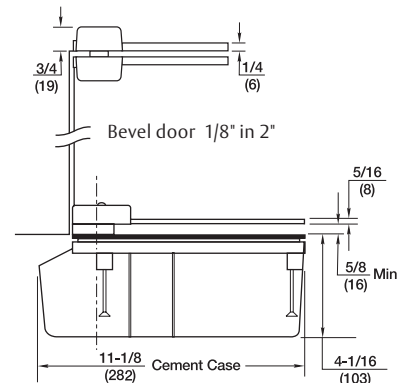
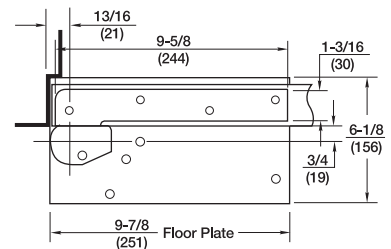
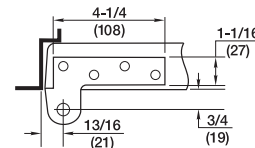
- Models available to meet ICC/ANSI A117.1 low opening force requirements, prefix "PH". (For 8-1/2 lbs. of opening force prefix PH and suffix 8-1/2 lbs.)
- For fire rated openings (up to 3 hour assemblies) prefix "F". This package will be supplied with a F180 steel top pivot and a non-hold open closer. FM19 intermediate pivot required (order separately)
- UL listed closers cannot have PH option
- For 20-minute labeled doors suffix "-20" to the part number
- ANSI/C06041/C06051

* Door size & weight guidelines are determined using the appropriate number of intermediate pivots



Technical Information

(Frame stop required)



RIXSON
ASSA ABLOY