



15 Series Electric Strike / Door Release

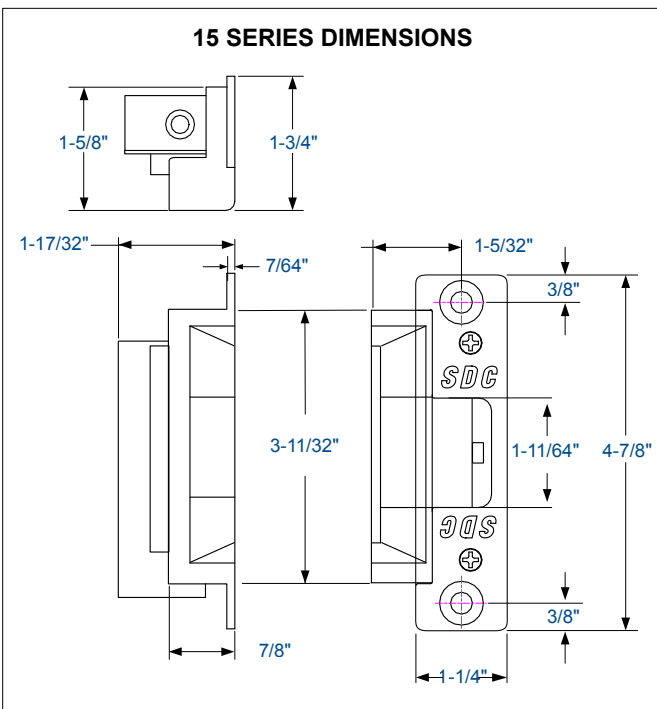
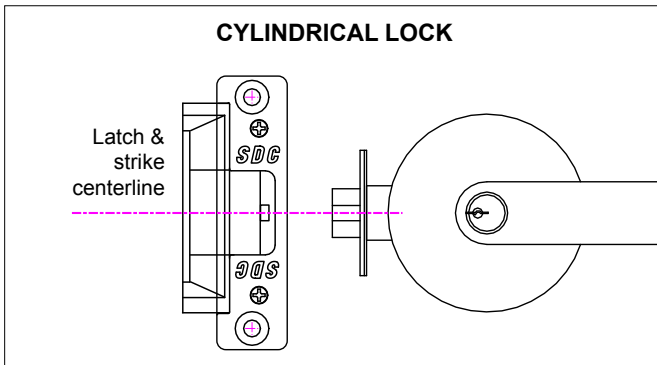
15 Series Electric Door Strike

The SDC 15 Series Electric Strike is a Centerline Latch Entry* strike designed for use with Cylindrical lockset with up to 3/4" (19mm) throw latchbolts. The 15 series electric strikes incorporates all stainless steel deadlocking mechanism and an internally mounted solenoid.

***Centerline Latch Entry:** The latch must enter at the strike "Centerline" located exactly between the top and bottom of the strike faceplate. Refer to strike installation instructions and template to determine strike location prior to frame preparation for New and Retrofit installations. See SDC strike template and installation instructions for both retrofit and new installation details.



Screw terminal connections



Features

- For use with 5/8" latchbolt, or up to 3/4" latchbolt with 1/8" door gap
- Choice of failsafe or failsecure
- Non-handed
- All stainless steel parts with durable die case body for corrosion resistance¹
- 630 Satin stainless steel face plate

Model

- 15-4S24U** Failsecure, 24VDC continuous
12VAC, intermittent duty, audible buzz
- 15-4F24U** Failsafe, 24VDC continuous
- 15-4SU** Failsecure, 12VDC continuous
- 15-4FU** Failsafe, 12VDC continuous

Specifications

Voltage : 150 mA @ 24VDC
200 mA @ 12VDC

Dimensions: 1-1/4" W x 4-7/8" H x 1-1/2" D
(31.8W x 124H x 38.1D mm)

5 YEAR LIMITED WARRANTY

