

Securitron MUNL

Works with Mortise locksets without deadbolts up to a 3/4" throw latchbolt



The universal compact, high performance, no cut electromechanical motorized strike for use with mortise locksets without deadbolts.

Designed for easy installation, the Securitron MUNL is capable of releasing under preload conditions and accommodates latchbolts up to 3/4" [19mm] throw. Strong enough to withstand windstorm conditions, the Securitron MUNL is the UL listed, fire rated electric strike that includes lock monitoring standard, provides ANSI/BHMA Grade 1 holding power and includes field adjustability for latch and deadlatch positions.

Features

Standard Features

- No cutting required
- Preload capable
- Accommodates up to 3/4" [19mm] latchbolt (with 1/8" [3.175mm] door gap)
- Lock Monitor (Standard – SPDT)
- Fail secure (standard)
- Maintains dead latch function at all times
- Strike body depth 1-7/8" [47.6mm]
- SecuriCare five-year, no-fault, no questions asked warranty (Addition of HES SMART Pac® III extends the warranty to 10 years)

Optional Features

- 12 VDC
- 24 VDC
- **FSUNL** for field selectable fail safe operation
- One model works with most North American Mortise Locks (Sargent 7800 and 8200 require tab kit model #STK-1 for retrofit installations)



Grade 1



SecuriCare
Warranty



Mortise Locks
without
Deadbolt



Fire Rated



Windstorm
Resistant



Preload

Specifications

Certifications

- UL 10C Listed
- CAN4-S104, CAN/ULC Listed
- NFPA-252 fire door compliant
- UL listed to ANSI/SDI-BHMA A250.13 (60PSI) Windstorm
- ANSI/BHMA A156.31, Grade 1; E09321, E09322, E09323
- ASTM-E152 fire door compliant

Electrical

- 12 VDC (continuous duty)
 - Inrush – 4 Amps
 - Standby Current – 600 mA
- 24 VDC (continuous duty)
 - Inrush – 2 Amps
 - Standby Current – 300 mA

Holding Force

- 1500 lbs [680kg] static

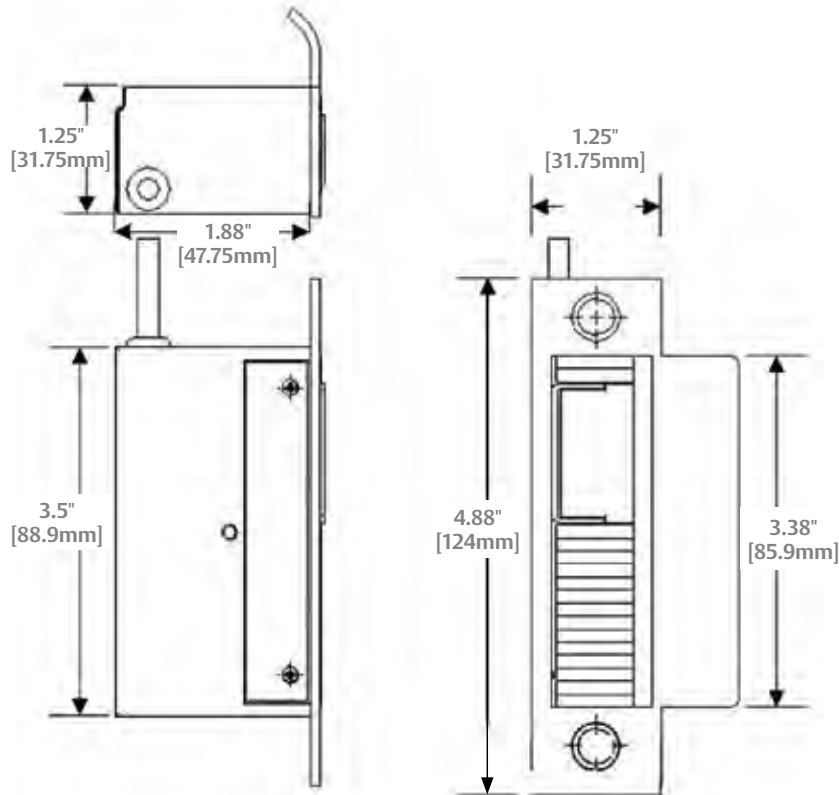
Operating Temperature

- -20° to 125° F [-29° to 52° C]

Shipping Weight

- 2 lbs [0.91kg]

Dimensions



FSUNL Fail Safe Unlatch Module

PART NUMBER	DESCRIPTION
FSUNL-12	Fail Secure/Fail Safe Unlatch Module, 12 VDC, .90 mA
FSUNL-24	Fail Secure/Fail Safe Unlatch Module, 24 VDC, 1.4 mA

Securitron FSUNL Fail Safe Unlatch® Module

Allows Fail Safe Configuration of UNL and MUNL

The FSUNL is used with a Securitron UNL or MUNL installation to provide selectable fail safe or fail secure behavior. Removal of power initiates a full unlatch or latch cycle depending on which mode is selected.



How to Order

SERIES	FAIL SECURE / SAFE	VOLTAGE	FINISH
MUNL	—	- 24	- 10B
MUNL Mortise	(blank) Fail Secure (standard)	12 12 Volt 24 24 Volt	(blank) US26D/626—Stainless Steel 10B US10B/613—Oil Rubbed Bronze

NOTE: Electric strike compatibility is determined at time of electric strike product release. ASSA ABLOY is not responsible for incompatibility of products that have changed in design or craftsmanship by their respective manufacturers. When compatibility is a concern, contact Customer Support for application assistance.