



heavy-duty deadbolt 112-1/4

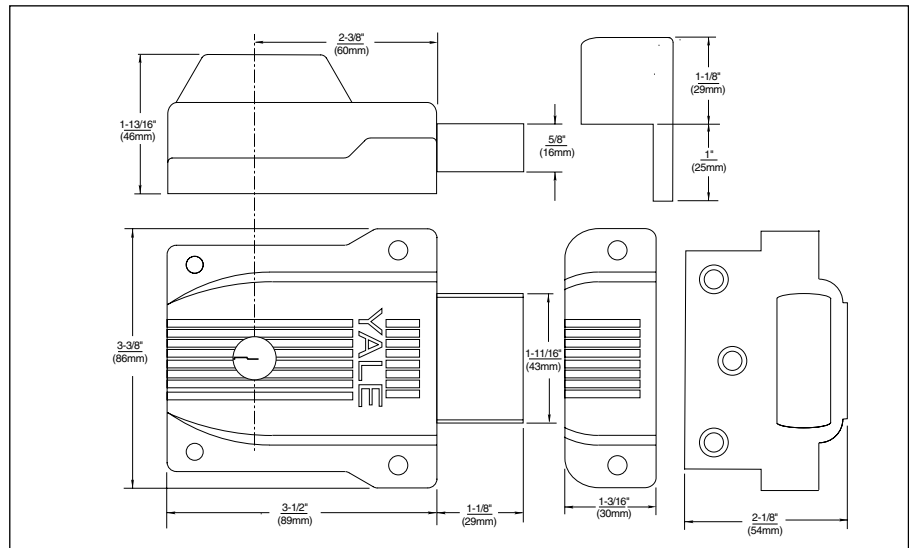


operation

Outside: Furnished standard with 5-pin rim cylinder 1109E.

Inside: Turning the key throws or retracts the deadbolt. Also available with flat strike, model no. 112-1/4F (for outswinging doors).

dimensions and details



Model Numbers	
112-1/4	Boxed
112-1/4F	Flat Strike, Boxed

technical information

Description	112-1/4
Backset	2-3/8" (60mm)
Material	Zinc alloy
Deadbolt Length	1-1/8" (29mm)
Cylinder (Outside)	1109E Brass 5-pin with anti-pick mushroom drivers
Cylinder (Inside)	Fixed 3-pin Brass cylinder. No alternatives.
Case Finishes	Sprayed Brass only
Cylinder Finish	Brass
2 Keys	RB8
Door Thickness	1-1/4" to 2-1/4" (32mm-57mm)

Dimensions are shown in inches (millimeters).



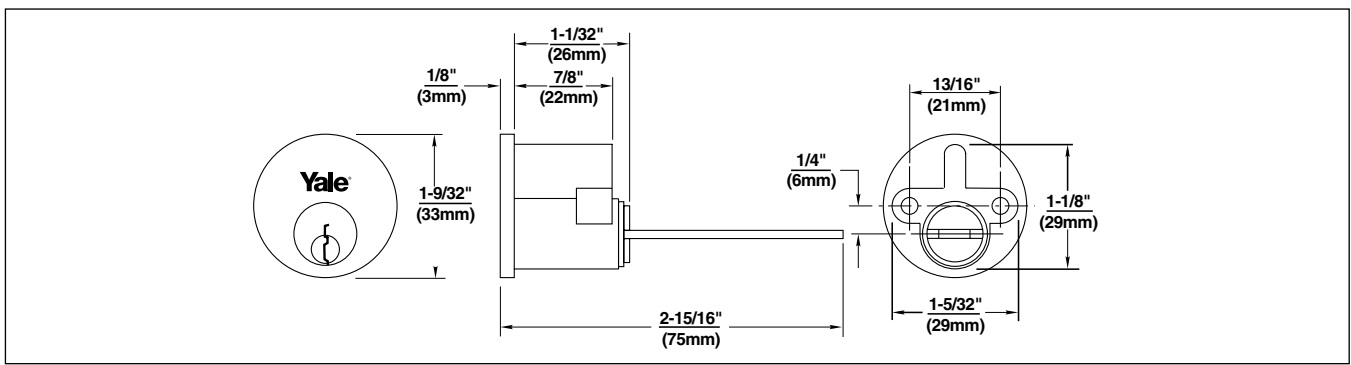
auxiliary rim lock components

cylinders

Yale® auxiliary rim locks 80, 88, 112, 112-1/4, 197, and 197-1/4 are shipped standard with an 1109E brass, 5-pin, E1R (PARA) section rim cylinder. The 1109E is not available as a replacement cylinder.

Note: 1109E depths and spacings are not compatible with other cylinders available from Yale Locks & Hardware.

For alternative rim cylinders, refer to Yale® KeyMark® and/or Yale Cylinder and Keys catalog sections.



strikes

<p>No. 197F Flat Strike</p> <p>Used with 197F and 197-1/4F for outswing doors.</p>	<p>No. 112F Flat Strike</p> <p>Used with 112F and 112-1/4F for outswing doors.</p>	<p>No. 8RB Rim Strike</p> <p>Used with 80 and 88 for outswing doors.</p>

Dimensions are shown in inches (millimeters).