



heavy-duty latchbolt 112



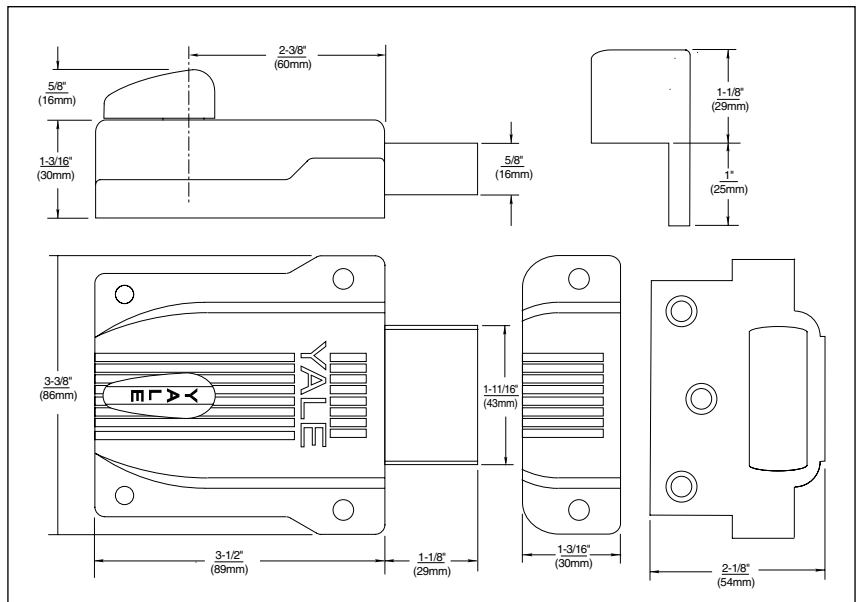
operation

Outside: Furnished standard with 5-pin rim cylinder 1109E.

Inside: 180° turn of the thumbturn throws or retracts deadbolt. Also available with flat strike, model no. 112F (for outswinging doors).

Model Numbers	
112	Boxed
112F	Flat Strike, Boxed

dimensions and details



technical information

Description	112
Backset	2-3/8" (60mm)
Material	Zinc Alloy
Springbolt Length	1-1/8" (29mm)
Cylinder	1109E Brass 5-pin with anti-pick mushroom drivers
Case Finishes	Sprayed Brass only
Cylinder Finish	Brass
2 Keys	RB8
Door Thickness	1-1/4" to 2-1/4" (32mm-57mm)

Dimensions are shown in inches (millimeters).



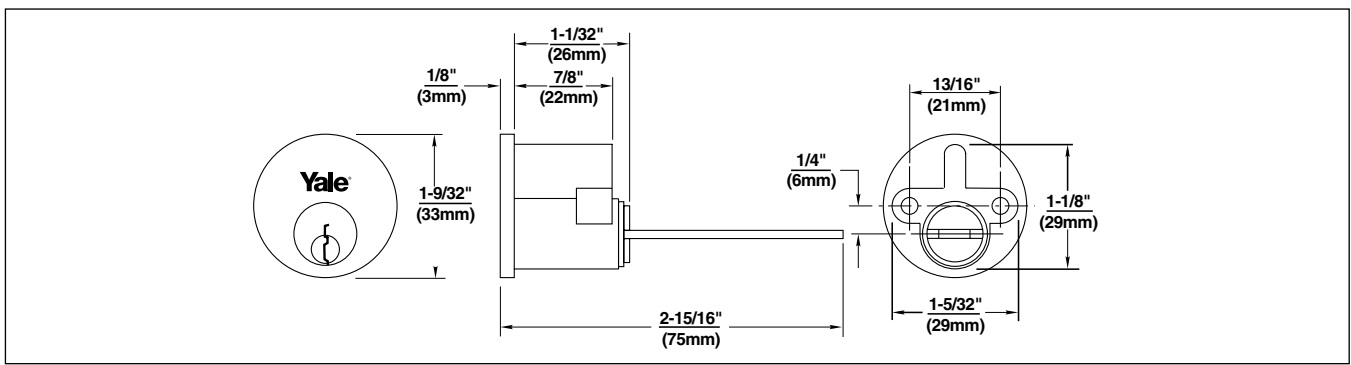
auxiliary rim lock components

cylinders

Yale® auxiliary rim locks 80, 88, 112, 112-1/4, 197, and 197-1/4 are shipped standard with an 1109E brass, 5-pin, E1R (PARA) section rim cylinder. The 1109E is not available as a replacement cylinder.

Note: 1109E depths and spacings are not compatible with other cylinders available from Yale Locks & Hardware.

For alternative rim cylinders, refer to Yale® KeyMark® and/or Yale Cylinder and Keys catalog sections.



strikes

<p>No. 197F Flat Strike</p> <p>Used with 197F and 197-1/4F for outswing doors.</p>	<p>No. 112F Flat Strike</p> <p>Used with 112F and 112-1/4F for outswing doors.</p>	<p>No. 8RB Rim Strike</p> <p>Used with 80 and 88 for outswing doors.</p>

Dimensions are shown in inches (millimeters).