

## Hydraulic gate closer for large gates

SAMSON-2 (Patented)



Simple installation and flexible functionality make it the perfect fit for larger gates. Samson-2 is a polyvalent hydraulic gate closer developed with high quality components for an exceptional long life span. Temperature changes do not affect the smooth and constant functionality. The set of mounting brackets that are delivered with the closer make Samson-2 fit for any gate.



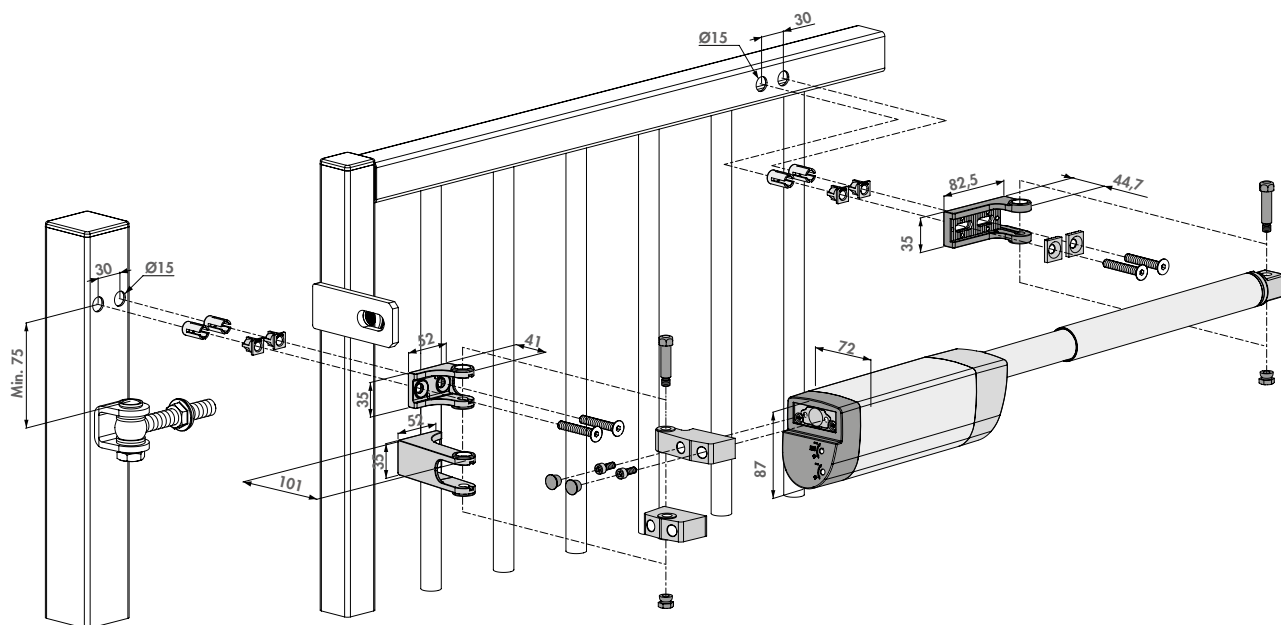
### Color options

ZILV



### Specifications

- ✓ Opening angle up to 150° depending on the situation
- ✓ Specially developed for outdoor use: industrial quality
- ✓ Scratch resistant and corrosion free anodised aluminium housing
- ✓ Closing speed unaffected by temperature changes
- ✓ Fast and easy fixing with Quick-Fix
- ✓ For left and right turning gates



### Recommended installation tools



DRILLVISE-II

DRILLVISE-IV

SB-

SAMSON-2 Hydraulic gate closer for gates up to 150 kg