

LPS[®] LST PENETRANT



Meets or exceeds these specifications:
Fed. Spec. VV-P-216C Type I and A-A-50493 Type I



Nonfood Compounds Program Listed
Category Code: H2 Registration
#059851 (aerosol); #059823 (bulk)

APPLICATIONS

- Bearings
- Bolts
- Chains
- Conveyors
- Corroded Fasteners
- Equipment disassembly
- Hinges
- Nuts
- Plumbing Fixtures
- Pulleys
- Screws
- Shafts



FEATURES

- Frees frozen parts
- Displaces moisture
- Low surface tension
- Loosens rust and corrosion
- Flash point of 175°F (79°C)
- Meets or exceeds these specifications:
Fed. Spec. VV-P-216C Type I and
A-A-50493 Type I
- NSF[®] registered H2 #059851 (aerosol);
#059823 (bulk)
- Compatible with most rubber and
plastic surfaces
- Inverta Spray Valve

PACKAGES

Net Contents

- 11 wt. oz. / 312 g / 382 mL aerosol
- 1 gal. (3.78 liters)
- 5 gal. (18.93 liters)
- 55 gal. (208 liters)

Part No.

- 01916
- 01928
- 01905
- 01955



LST PENETRANT

PROPERTIES

Appearance:

Liquid

Boiling Point:

383°F (195°C)

Color:

Clear

Evaporation Rate:

< 0.7(BuAc=1)

Flammable limits (estimated):

LOWER: 0.6%

UPPER: 7%

Flash Point (TCC):

175°F (79°C) ± 10°F(6°C)

Odor:

Vanilla

Partition Coefficient (octanol/water):

<1

Specific Gravity (Water=1):

0.79-0.81 @ 25 °C

Vapor Density (air=1):

4.7

Vapor Pressure:

< 2 mmHg

V.O.C. Content:

0 g/L per

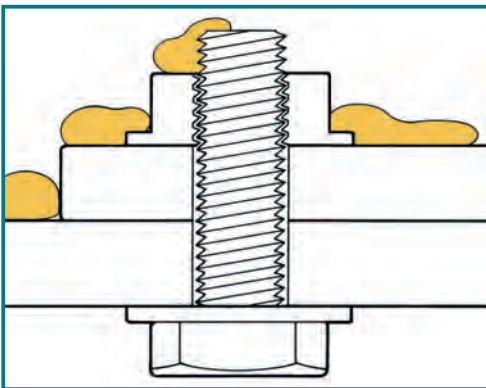
CARB/OTC definition

Volatiles:

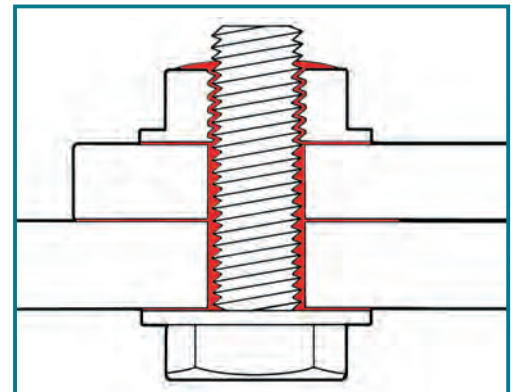
95 - 98%

What makes LST an excellent penetrant is its low surface tension. Surface tension is the measurement of a liquid's ability to "bead" or form droplets. The higher the surface tension the more likely a liquid is to bead-up on a surface, and not penetrate. LST has extra low surface tension that does not bead and instead spreads with a more consistent coating and penetrates even the tiniest cracks and crevices in a surface.

Liquid with high surface tension



LST with low surface tension



MATERIAL SAFETY DATA SHEETS AVAILABLE UPON REQUEST OR VISIT OUR WEB SITE : WWW.LPSLABS.COM

LPS Laboratories • An Illinois Tool Works Company

4647 Hugh Howell Road • Tucker, GA 30084 • TEL: (800) 241-8334 or (770) 243-8800 • FAX: (800) 543-1563 or (770) 243-8899

Internet Web Site: www.lpslabs.com

©2012 LPS Laboratories • LPS® is a registered trademark of Illinois Tool Works • Printed in U.S.A. • All Rights Reserved • Form #2094 • Rev. 5/2012