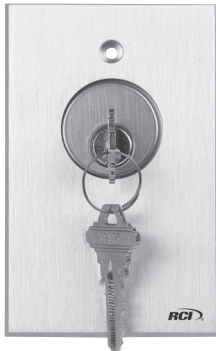




In or Out... we make it Easy!®

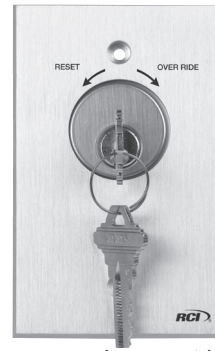


Shown with Standard Faceplate

960
3" x 4-3/4"
(76.2 x 120.7mm)



960N
1-5/8" x 4-3/4"
(41.3 x 120.7mm)



960 Shown with
Screen Printed
Reset/Override Option

Features & Benefits

- Extruded aluminum 1/4" (6.4mm) plate with beveled edges
- Maintained, momentary or pneumatic time-delay switches available
- Two #6-32 stainless steel tamper-proof spanner-head screws and driver included
- Compatible with standard mortise cylinders with straight or clover cams in 1-1/8" or 1-1/4" cylinder lengths (optional)
- Fits standard single-gang surface or recessed electrical boxes (optional)
- 960N (narrow) compatible with 1-3/4" (44.5mm) door frame profiles
- Brushed Anodized Aluminum or Brushed Anodized Dark Bronze finish
- LED optional
- One-piece bracket with 2-position switch holder (standard)
- Screen printed reset/override with directional arrows indicate the function of corresponding switches (optional)

Tamper-Resistant Key Switches

These sleek, beveled-edge 960 key switches are designed to discourage tampering. Tamperproof screws and a special driver are included with the key switch to prevent unauthorized removal of the faceplate.

The convenient lock-down cylinder bracket can hold two switches and is secured by the cylinder ring.

The cover plate and switch mounting design can be used with most standard and recessed electrical utility boxes. (See below options)

Options

- P96FPDE8**.....Face plate screen printed with reset/override and directional arrows (960 Standard width only)
- 9SURBOX**.....Surface mount box
4-3/4"H x 3"W x 2-1/2"D
(120.7 x 76.2 x 63.5mm)
Standard finish: Laurentian Cream
- 960CYL**.....Mortise cylinder, straight cam (specify keyed alike (KA) or differently (KD) Sold Separately)
- LED**.....Red/Green (bicolor) mounted in plate
- DMA**.....DPDT switch (maintained action)
- DMO**.....DPDT switch (momentary action)
- MO**.....SPDT Switch (momentary action)
- MA**.....SPDT Switch (maintained action)

Highlights

- Tamperproof Screws
- Easy Lock-Down Dual-Switch Bracket
- Heavy-Duty 1/4" Extruded Aluminum Plate
- Tamper-Resistant Beveled-Edge Faceplate Design
- 2-Year Limited Warranty

Applications

For commercial, industrial and institutional applications in high-use areas

- Vestibules
- Storefront
- Commercial
- Industrial
- Health Care



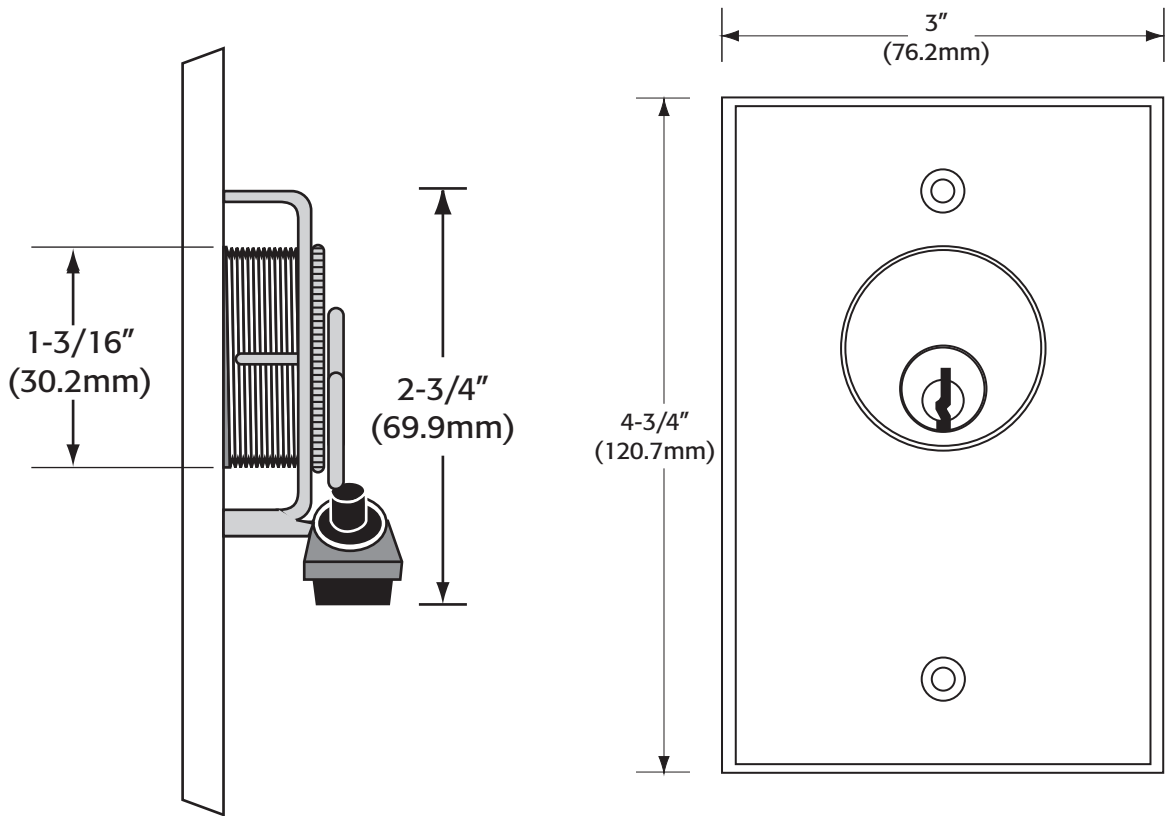
RUTHERFORD CONTROLS
A DORMA Group Company

In or Out... we make it Easy!®

| Description | Switch Mode | Switch Configuration | Switch Rating | Standard Finish |
|-------------------|---------------------|-------------------------------|--|-----------------|
| 960-MO Key Switch | Momentary Action | SPDT N/O & N/C | 3A @ 125 VDC – $\frac{1}{2}$ /CSA 1A @ 250 VDC – $\frac{1}{2}$ /CSA | 28 or 40 |
| 960-TD Key Switch | Adj. Delay 2-60 sec | 1 x SPST N/O and 1 x SPST N/C | 10A @ 125-250 VAC – $\frac{1}{2}$ /CSA | 28 or 40 |
| 960-MA Key Switch | Maintained Action | SPDT N/O & N/C | 3A @ 125 VDC – $\frac{1}{2}$ /CSA 1A @ 250 VDC – $\frac{1}{2}$ /CSA | 28 or 40 |

N/C Normally Closed. N/O Normally Open.

NOTE: Specifications are subject to change without notice.



RCI also offers a complete line of Electromagnetic Locks, Electric Locks, Electric Strikes, Power Supplies, Switches, Keypads & Readers, Exit Devices, Systems & Door Hardware